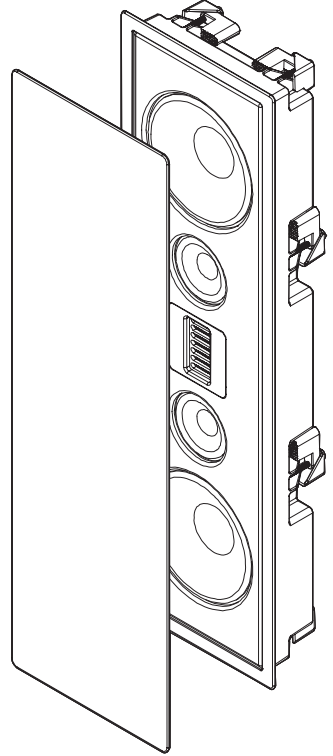
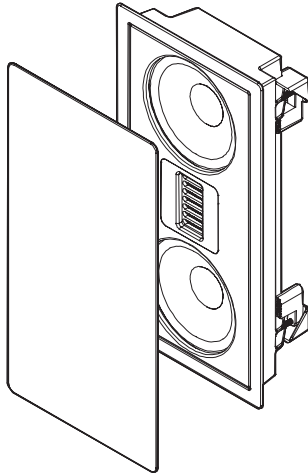
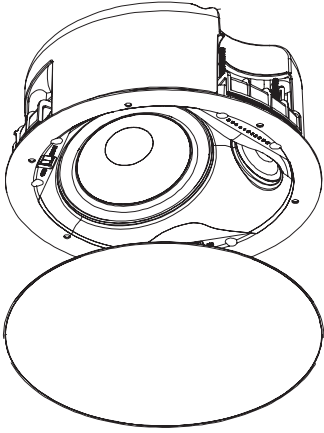


VANQUISH™

AXIS™

EDGE™

user's manual



MARTIN LOGAN®

WARNING!



- Refer servicing to a qualified technician.
- To prevent fire or shock hazard, do not expose this module to moisture.
- Turn amplifier off should any abnormal conditions occur.
- Do not drive speaker beyond its rated power.



The lightning bolt flash with arrowhead symbol within an equilateral triangle is intended to alert the user to the presence of uninsulated “dangerous voltage” within the product’s enclosure that may be of sufficient magnitude to constitute a risk of electric shock.



The exclamation point within an equilateral triangle is intended to alert the user to the presence of important operating and maintenance (servicing) instructions in the literature accompanying the appliance.



The fire within an equilateral triangle is intended to alert the user to the potential of creating a fire hazard if they do not follow the instructions.



The dollar sign within an equilateral triangle is intended to alert the user that they run the risk of causing damage that could be potentially expensive to repair if they don’t follow the instructions.



In accordance with the European Union WEEE (Waste Electrical and Electronic Equipment) directive effective August 13, 2005, we would like to notify you that this product may contain regulated materials which upon disposal, according to the WEEE directive, require special reuse and recycling processing. For this reason Martin Logan has arranged with our distributors in European Union member nations to collect and recycle this product at no cost to you.

Content Check List **3**
Connection **4**
Protect Your Investment **4**
Break-In **4**
Speaker Placement **4**
 Achieving Superior Imaging 4
 Balancing Hard vs. Soft Surfaces Improves High- and Mid-Frequency Performance 4
 Choosing a Mounting Location 4
 Balancing Bass Output. 5
 Wall Rigidity Results in Better Sound 5
 Suggested Placement of In-Ceiling Loudspeakers . 5
Painting the Speaker Grill. **6**
 Edge/Axis Installation 6
 Vanquish Installation 7
Frequently Asked Questions. **9**
Troubleshooting **10**
Contacting Customer Service **10**
General Information **11**
 Warranty Information 11
 Serial Number. 11
 Service 11
Specifications **12**

Serial Number: _____

Record your serial number here for easy reference. You will need this information when filling out your warranty registration. The serial number is located near the binding posts and on the product carton.



To find your local distributor please contact the dealer from whom you purchased this product, email info@martinlogan.com or visit the distributor locator at www.martinlogan.com.

Please note, only this product itself falls under the WEEE directive. When disposing of packaging and other related shipping materials we encourage you to recycle these items through the normal channels.

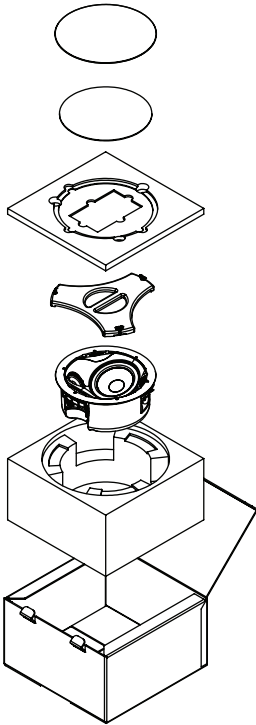
CONTENT CHECK LIST

You will find the following items enclosed for your new MartinLogan loudspeaker. Should you require assistance please call our service department at (785) 749-0133.

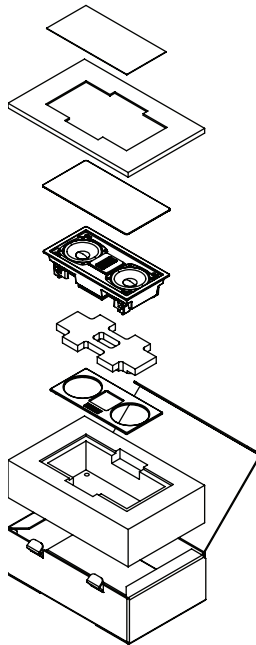
_____ Install Template

_____ Grill Cover

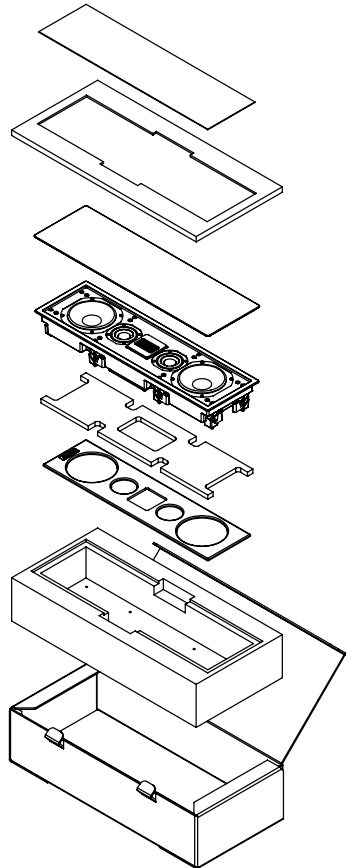
_____ Paint Shield



Vanquish



Axis



Edge

CONNECTION

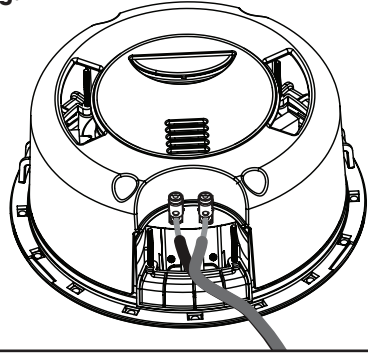
WARNING! Turn your amplifier off before making or breaking any signal connections!



These speakers are designed with easy-to-use push-style binding posts that accept bare wire (fig. 1).

Assign the same color to the (+) and (-) terminals on both the speaker and the amplifier. Make certain that all connections are tight.

Fig. 1



PROTECT YOUR INVESTMENT

- Use an amp that approximately matches the speaker's specified power handling.
- To avoid damage, turn down the volume if the speaker is distorting, sounds harsh, or the bass begins to break up.
- Tone controls and equalizers may increase the likelihood of distortion, especially at high volumes. Use these setting sparingly.

BREAK-IN

When you first begin to play your speakers, they will sound a bit bass shy. This is due to the high quality, long-life components used in the drivers.

Allow approximately 72 hours of break-in at 90 dB (moderate listening levels) before any critical listening.

SPEAKER PLACEMENT

Achieving Superior Imaging

These MartinLogan in-wall and in-ceiling speakers offer superb imaging and flexible placement in nearly any location. However, for best performance and imaging place speakers equidistant from one another and avoid physical obstructions between the speaker and primary listening position.

Rooms that are "over damped" with carpeting, drapes, and other sound absorbers can cause your system to sound dull and lifeless. On the other hand, rooms can have so many hard surfaces that the system sounds like a gymnasium. Experiment by adding or removing soft surfaces until you find a mix that sounds good to you.

Balancing Hard vs. Soft Surfaces Improves High- and Mid-Frequency Performance

Choosing a Mounting Location

Install the Edge and Axis speakers between wall studs.

Install the Vanquish between ceiling joists. Be careful to avoid electrical wires behind the wall and ceiling surfaces.

Balancing Bass Output

Corner placement of these speakers will reinforce their bass output. If you require balanced output across the entire audio spectrum avoid mounting these speakers in a corner.

Wall Rigidity Results in Better Sound

Increasing the rigidity of your walls may improve sonic performance. To do this consider adding cross bracing inside of the wall approximately 12" (30cm) above and below the speaker.

Suggested Placement of In-Ceiling Loudspeakers

Although figures 2–5 depict in-ceiling installations the same guidelines shown in figures 2 to 5 can be used when positioning in-wall front speakers and center channels.

When choosing placement follow these simple tips:

- Place a minimum of 12" (30cm) from any wall corner.
- Place front and center channels equidistant between 10–14 feet (3–4.3m) from the listening position.
- **Vanquish:** Install in-ceiling only. Orient the tweeter towards the listening position.

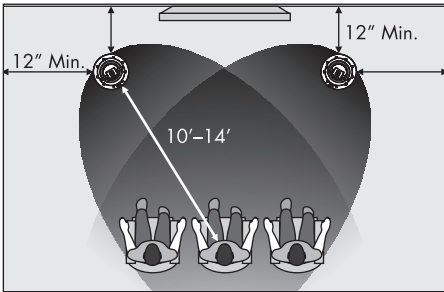


Figure 2. 2-channel installation.

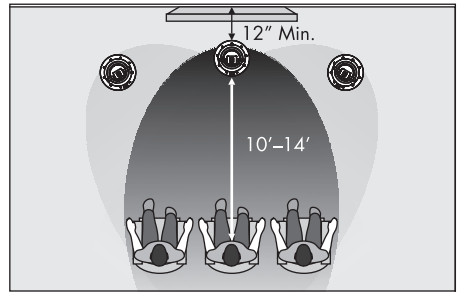


Figure 3. Adding a center channel.

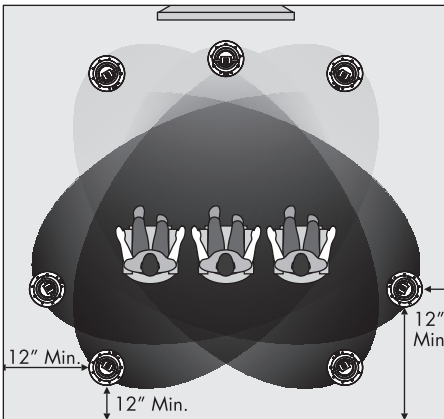


Figure 4. Adding surround channels to create a 5- or 7-channel installation.

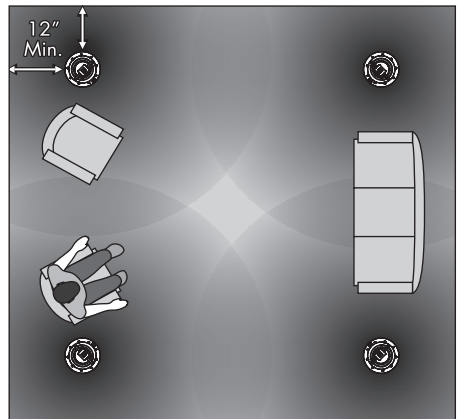


Figure 5. Distributed audio.

PAINTING THE SPEAKER GRILL

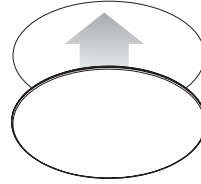
IMPORTANT! Before painting remove grill from speakers and remove the cloth scrim attached inside the grill.

1. Remove the grill from the speaker. A protective cloth scrim is attached to the back of the grill with low-tack adhesive. Remove this scrim by gently pulling it away from the grill.
2. Paint the grill, being careful not to plug the holes. Allow the paint to completely dry before

proceeding. **IMPORTANT!** For best results use a spray rather than a brush or roller.

3. Gently press the scrim back into place before reinstalling the speaker grill.

Fig. 6



INSTALLATION

NOTE: These instructions assume the mounting surface is of standard wood frame and standard sheet rock construction. If you wish to mount the speakers to another type of material you should contact a bonded contractor.

NOTE: See your local dealer for new construction pre-install brackets (sold separately).



WARNING! Before installing check local building codes to verify compliance with local regulations.



WARNING! Before installing check for obstructions behind drywall. To do this make a small hole, cutting at a 45° angle (this will make the hole easier to patch if obstructions are found. Only cut out the mounting hole after you have verified there are no obstructions behind the dry wall.



WARNING! Use only speaker cable that is rated for in-wall use. The UL standard is CL2, CL3, and CM. The CSA standard is FT4. **WARNING!** Turn your amplifier off before making or breaking any signal connections.



EDGE/AXIS INSTALLATION

Recommended tools:

- Stud finder
- Sharp pencil or pen
- Pushpin
- Dry wall knife/saw
- Wire strippers
- Phillips screwdriver or electric drill and bit
- Tape measure
- Low-tack tape

1. Using a stud finder, position the template so it is centered between wall studs or ceiling joists.
2. Hold or pin the template in place and mark cutout with a pencil.
3. Remove the template and cut out the opening with a drywall knife/saw.
4. Place fiberglass insulation above and below the cut-out hole. Place a half thick piece of fiberglass insulation behind the speaker.
5. Connect speaker cable. Be consistent when connecting speaker leads to the terminals on the speaker. Take great care to assign the

same color to the (+) terminal on both the speaker and the amplifier.

WARNING! Turn your amplifier off before making or breaking any signal connections!



- 6 Place speaker in hole. Orient the specially marked woofer so it is the closest to the listener's ear level at the primary listening position.
- 7 Use a 2-inch long #2 Phillips driver and an electric drill to lock all mounting locks in place. Use a low clutch setting on the drill.
- 8 Remove the protective cover from the tweeter
- 9 The Folded Motion XT tweeter should always be used in a vertical orientation. To do this, use your fingers to gently pull the tweeter assembly away from the speaker, rotate 90 degrees, and press it back into place (fig 7).
- 10 Gently press the glossy trim baffle into place. Remove the protective film from the trim.
- 11 Place the magnetic grill cover over the speaker.

Fig. 7

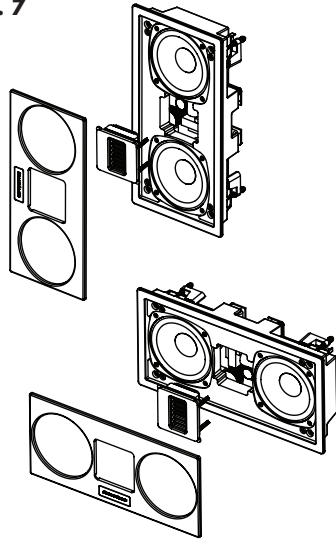


Fig. 9 Edge

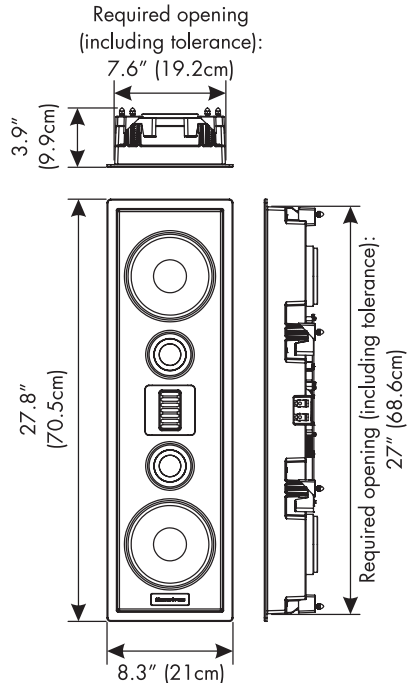
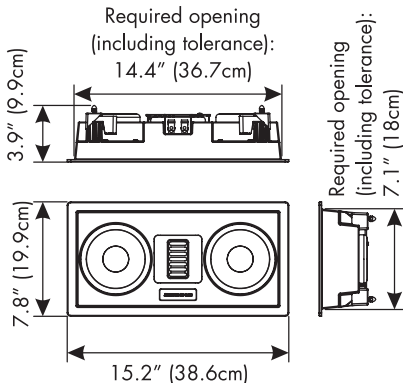



Fig. 8 Axis



VANQUISH INSTALLATION

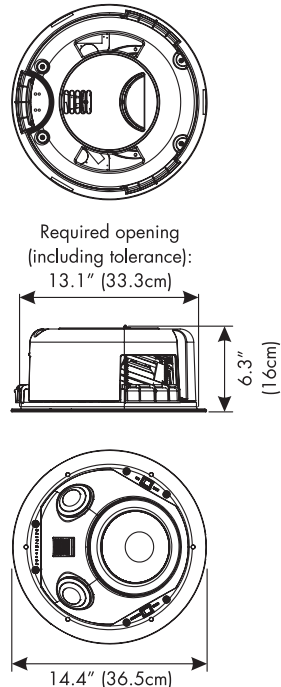
Recommended tools:

- Stud finder
 - Sharp pencil or pen
 - Pushpin
 - Dry wall knife/saw
 - Wire strippers
 - Phillips screwdriver or electric drill and bit
 - Tape measure
 - Low-tack tape
1. Using a stud finder, position the template so it is centered between wall studs or ceiling joists.
 2. Hold or pin the template in place and mark cutout with a pencil.
 3. Remove the template and cut out the opening with a drywall knife/saw.
 4. Place fiberglass insulation 12" (30cm) or thicker between the joists directly above the speaker.
 5. Connect speaker cable. Be consistent when connecting speaker leads to the terminals on the speaker. Take great care to assign the same color to the (+) terminal on both the speaker and the amplifier.
- WARNING!** Turn your amplifier off before making or breaking any signal connections!


6. Place speaker in hole.
 7. Orient the tweeter so it is pointing towards the primary listening position. Use a 2-inch long #2 Phillips driver and an electric drill. While holding the speaker in position by the installation handle, for each set of screws tighten both screws alternating between either screw until the mounting lock has moved firmly into place.

8. Loosen wing nuts and remove the installation handle.
9. Adjust the position switches. For a center channel application, set the 'Center Channel / Front or Surround' switch to 'Center Channel'. For a front- or surround-channel application, set the 'Center Channel / Front or Surround' switch to 'Front or Surround' and choose the appropriate position setting on the 2nd switch.
Please Note: When the 'Center Channel / Front or Surround' switch is set to 'Center Channel' the 2nd switch setting is irrelevant.
10. Remove the protective sticker that is covering the Folded Motion tweeter.
11. Place the magnetic grill cover over the speaker.

Fig. 7 Vanquish



FREQUENTLY ASKED QUESTIONS

How do I clean my speakers? Just use a dust free cloth or a soft brush to remove the dust from your speakers. Do not spray any kind of cleaning agent on or in close proximity to the drivers.

What size amplifier should I use? We recommend an amplifier rated within the suitable amplifier range of your speaker.

Could you suggest a list of suitable electronics and cables that would be ideal for MartinLogan speakers? The area of electronics and cable choice is probably the most common type of question that we receive. It is also the most subjective. We have repeatedly found that brands that work well in one setup will drive someone else nuts in another. We use many brands with great

success. Again, we have no favorites; we use electronics and cables quite interchangeably. We would suggest listening to a number of brands—and above all else—trust your ears. Dealers are always the best source for information when purchasing additional audio equipment or cables and will be well versed in the subject of special safety requirements for in-wall cable.

Will exposure to sunlight affect the life or performance of my speakers? We recommend that you not place any loudspeaker in direct sunlight. The ultraviolet (UV) rays from the sun can cause deterioration of grill cloth, speaker cones, etc. Small exposures to UV will not cause a problem. In general, the filtering of UV rays through glass will greatly reduce the negative effects.

TROUBLESHOOTING

No Output

- Check that all your system components are turned on, not muted, and that your balance control (if applicable) is set correctly.
- Check to make sure your power outlet at the wall is working.
- Check your power cords, speaker wires, and interconnecting cables.
- Check to make sure no headphones are plugged in.
- Swap speaker wires at your amplifier with those of a speaker that is functioning correct-

ly. If the lack of output moves to a different speaker the problem could be with other equipment in your system (i.e. amp, pre-amp, processor, etc.)

- Try hooking up a different set of speakers. The lack of output could point to a problem with other equipment in your system (i.e. amp, pre-amp, processor, etc.)

Lack of Bass or Poor Imaging

- Check your speaker wires. Is the polarity correct — (+) to (+) and (-) to (-).

CONTACTING CUSTOMER SERVICE

MartinLogan customer service is available Monday–Friday between the hours of 8am–5pm (central time) by calling (785) 749-0133 or by emailing service@martinlogan.com.

GENERAL INFORMATION

WARRANTY INFORMATION

Your speakers are provided with an automatic Limited 90 Day Warranty coverage. You have the option, at no additional charge, to receive a Limited 5 Year Warranty coverage. To obtain the Limited 5 Year Warranty coverage you need to complete and return the Certificate of Registration to MartinLogan within 30 days of purchase. For your convenience MartinLogan also offers online warranty registration at www.martinlogan.com.

MartinLogan may not honor warranty service claims unless we have a completed Warranty Registration card on file! If you did not receive a Certificate of Registration with your new speakers you cannot be assured of having received new units. If this is the case, please contact your authorized MartinLogan dealer.

SERIAL NUMBER

Serial number is located on back of the speaker, . The serial number may also be found on the product carton.

SERVICE

Should you use your MartinLogan product in a country other than the one in which it was originally purchased, we ask that you note the following:

- 1 The appointed MartinLogan distributor for any given country is responsible for warranty servicing only on units distributed by or through it in that country in accordance with its applicable warranty.
- 2 Should a MartinLogan product require servicing in a country other than the one in which it was originally purchased, the end user may seek to have repairs performed by the nearest MartinLogan distributor, subject to that distributor's local servicing policies, but all cost of repairs (parts, labor, transportation) must be borne by the owner of the MartinLogan product.
- 3 If, after owning your speaker for six months, you relocate to a country other than the one in which you purchased your speaker, your warranty may be transferable. Contact MartinLogan for details.

SPECIFICATIONS*

*Specifications are subject to change without notice.

Speaker Model	Vanquish
System Frequency Response	37–25,000 Hz ± 3 dB
Aiming	80° x 30°
Sensitivity	93 dB @ 2.83 volts/ meter
Impedance	4 Ohms. Compatible with 4, 6, or 8 Ohm rated amps.
Crossover Frequency	400, 850, 2000 Hz
High-Frequency Driver	1.25" x 2.4" (3.2cm x 6.1cm) Folded Motion XT Transducer with 4.5" x 2.75" (11.4cm x 7cm) diaphragm.
Mid-Frequency Driver	Two 3.5" (8.9cm) aluminum cone with stamped steel basket. Concave dust cap.
Low-Frequency Driver	8" (20.32cm) aluminum cone with cast aluminum basket. Concave dust cap.
Binding Post Inputs	Push style
Components	Custom air core coil inductors. polypropylene film capacitors in series and low DF electrolytic capacitors. Overall system thermal/current protection.
Suitable Amplifier Range	20–300 watts
Maximum Power Handling	150 watts
Weight	16 lbs. (7.3 kg)
Overall Size (diameter x depth height x width x depth)	14.4" x 6.3" (36.5cm x 16cm)
Required opening (including tolerance)	13.1" (33.3cm)
Projection from wall surface	0.2" (0.6cm)
Depth required behind wall surface	6.1" (15.5cm)

Axis

45–25,000 Hz ± 3 dB

80° x 30°

94 dB @ 2.83 volts/ meter

4 Ohms. Compatible with 4, 6, or 8 Ohm rated amps.

700, 2000 Hz

1.25" x 2.4" (3.2cm x 6.1cm) Folded Motion XT Transducer with 4.5" x 2.75" (11.4cm x 7cm) diaphragm.

.....

Two 5.25" (13.4cm) aluminum cone with cast aluminum basket. Concave dust cap.

Push style

Custom air core coil inductors. polypropylene film capacitors in series and low DF electrolytic capacitors. Overall system thermal/current protection.

20–250 watts

125 watts

13 lbs. (5.9 kg)

15.2" x 7.8" x 3.9" (38.6cm x 19.9cm x 9.9cm)

14.4" x 7.1" (36.7cm x 18cm)

0.2" (0.6cm)

3.7" (9.4cm)

Edge

42–25,000 Hz ± 3 dB

80° x 30°

95 dB @ 2.83 volts/ meter

4 Ohms. Compatible with 4, 6, or 8 Ohm rated amps.

400, 1800, 3000 Hz

1.25" x 2.4" (3.2cm x 6.1cm) Folded Motion XT Transducer with 4.5" x 2.75" (11.4cm x 7cm) diaphragm.

Two 3.5" (8.9cm) aluminum cone with stamped steel basket. Concave dust cap.

Two 6.5" (16.5cm) aluminum cone with cast aluminum basket. Concave dust cap.

Push style

Custom air core coil inductors. polypropylene film capacitors in series and low DF electrolytic capacitors. Overall system thermal/current protection.

20–300 watts

150 watts

19 lbs. (8.62 kg)

27.8" x 8.3" x 3.9" (70.5cm x 21cm x 9.9cm)

27" x 7.6" (68.6cm x 19.2cm)

0.2" (0.6cm)

3.7" (9.4cm)



Lawrence, Kansas, USA tel 785.749.0133 fax 785.749.5320 www.martinlogan.com

P/N: 9500079

©2012 MartinLogan Ltd. All rights reserved.

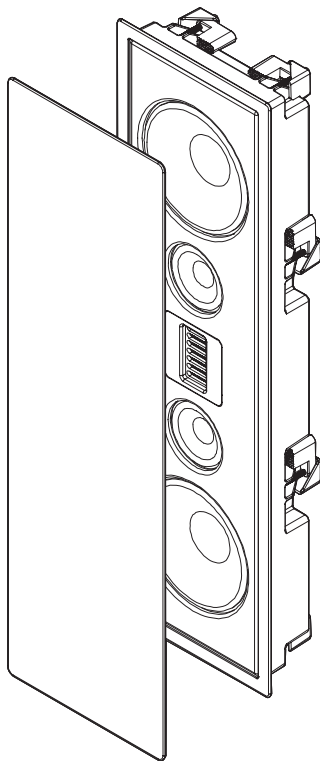
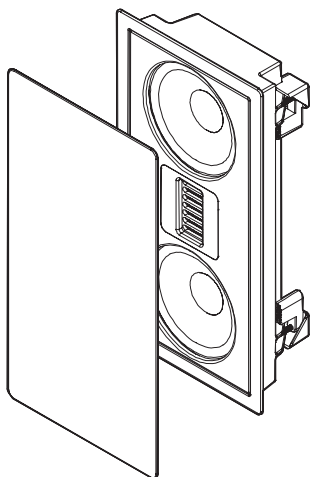
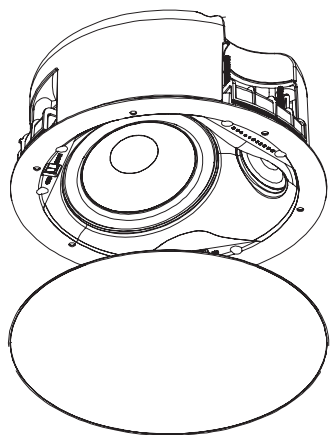
Rev. #021312

VANQUISH™

AXIS™

EDGE™

manuel de l'utilisateur



MARTIN LOGAN®

AVERTISSEMENT!

- Pour les réparations, faites appel à un technicien compétent.
- Pour éviter les risques d'incendie ou de décharge électrique, n'exposez pas ce module aux vapeurs d'eau ni à l'humidité.
- Veuillez éteindre l'amplificateur en cas de conditions anormales.
- Ne poussez pas l'enceinte au-delà de sa puissance nominale.



Le symbole de l'éclair avec une pointe en forme de flèche, dans un triangle équilatéral, avertit l'utilisateur de la présence d'une « tension dangereuse » potentielle près du produit qui peut être suffisante pour constituer un risque de décharge électrique.



Le point d'exclamation dans un triangle équilatéral avertit l'utilisateur de la présence de directives importantes en matière de fonctionnement et d'entretien (service) dans les documents qui accompagnent l'appareil.



Le symbole de feu dans un triangle équilatéral avertit l'utilisateur du risque de créer un incendie s'il ne suit pas les instructions.



Le symbole de dollar dans un triangle équilatéral avertit l'utilisateur qu'il coure le risque de causer des dommages potentiellement dispendieux à réparer s'il ne suit pas les instructions.



En vertu de la directive WEEE de l'Union européenne (directive sur les déchets électriques et électroniques) entrée en vigueur le 13 août 2005, nous vous avisons que ce produit pourrait contenir des matériaux réglementés dont l'élimination doit faire l'objet de procédures de réutilisation et de recyclage particulières. À cette fin, MartinLogan a demandé à ses distributeurs dans les pays membres de l'Union européenne de reprendre et de recycler ce produit gratuitement.

Liste de vérification du contenu	17
Raccordement	18
Protéger votre investissement	18
Rodage	18
Positionnement des enceintes	18
Obtenir une image supérieure	18
L'équilibre entre les surfaces dures et molles améliore le rendement des hautes et des moyennes fréquences	18
Choisir un emplacement de montage	18
Équilibrage de la sortie des graves	19
La rigidité du mur donne un meilleur	19
Positionnement suggéré des enceintes encastrables au plafond	19
Peinturer la grille de l'enceinte	20
Installation Edge/Axis	20
Installation Vanquish	22
Foire aux questions	23
Dépannage	24
Communiquer Avec le Service à la Clientèle ..	24
Renseignements Généraux	25
Renseignements sur la garantie	25
Numéro de série	25
Service	25
Spécifications	26

Numéro de Série : _____

Veuillez inscrire votre numéro de série ici pour pouvoir vous y référer facilement. Vous aurez besoin de ce renseignement lorsque vous remplirez votre enregistrement à la garantie. Le numéro de série est situé près des bornes de raccordement et sur l'emballage du produit.

Pour trouver le distributeur le plus près, communiquez avec le revendeur du produit, envoyez un courriel à info@martinlogan.com ou consultez le site Web martinlogan.com.

Notez que seul le produit est régi par la directive WEEE. Nous vous encourageons à recycler les matériaux d'emballage et autres matériaux d'expédition selon les procédures normales.



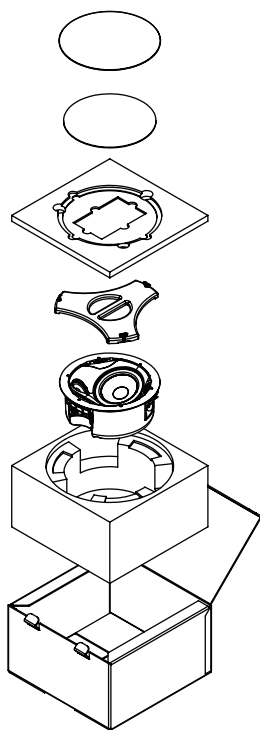
LISTE DE VÉRIFICATION DU CONTENU

Vous trouverez les éléments suivants dans la boîte pour votre nouvelle enceinte MartinLogan. Si vous avez besoin d'aide, veuillez appeler notre département de service en composante le 785-749-0133.

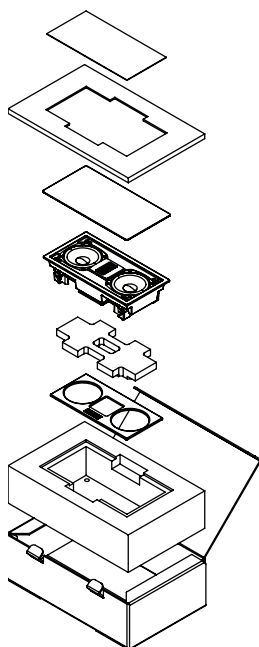
_____ Gabarit d'installation

_____ Couverture de la grille

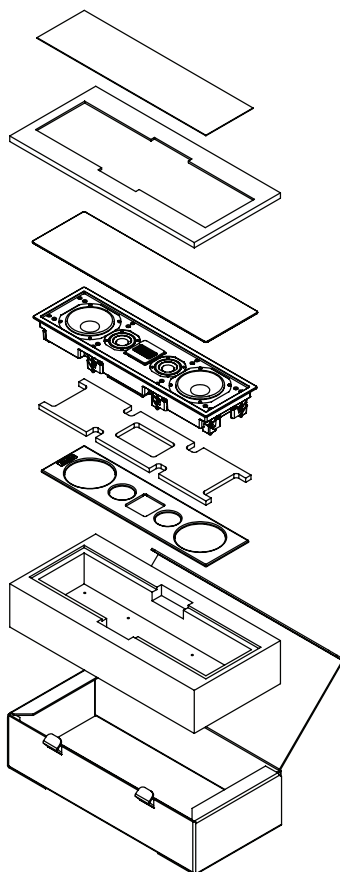
_____ Protecteur pour peinture



Vanquish

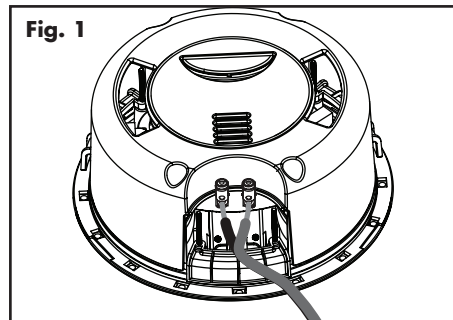


Axis



Edge

RACCORDEMENT



AVERTISSEMENT! Éteignez l'amplificateur avant de faire des raccordements ou d'interrompre tout raccordement de signal!



Ces enceintes sont dotées de bornes de raccordement facile à utiliser de style bouton-poussoir qui acceptent les fils nus (fig. 1).

Attribuez la même couleur aux bornes (+) et (-) sur l'enceinte et l'amplificateur. Assurez-vous que tous les raccords sont bien faits.

PROTÉGER VOTRE INVESTISSEMENT

- Utilisez un amplificateur qui correspond approximativement à la puissance admissible de l'enceinte.
- Pour éviter les dommages, baissez le volume si le son de l'enceinte est déformé ou dur, ou si les graves commencent à couper.
- Les commandes de tonalité et les égalisateurs peuvent accroître les possibilités de déformation du son, particulièrement à volume élevé. Utilisez ces commandes avec parcimonie.

RODAGE

Quand vous commencez à l'utiliser les enceintes, les graves peuvent sonner un peu diminuées. Cette situation est due aux composants de haute qualité et à durée

de vie élevée utilisés dans les haut-parleurs. Un rodage d'environ 72 heures à 90 dB (niveaux d'écoute moyens) est nécessaire avant toute écoute critique.

POSITIONNEMENT DES ENCEINTES

Obtenir une image supérieure

Ces enceintes MartinLogan encastrables au mur ou au plafond offrent une superbe image et un positionnement flexible presque partout. Toutefois, pour obtenir le meilleur rendement possible et la meilleure image, placez les enceintes à équidistance les unes des autres et évitez les obstacles physiques entre l'enceinte et la position d'écoute principale.

Les pièces qui sont « trop amorties » avec du tapis, des rideaux ou d'autres matériaux qui absorbent le son peuvent faire en sorte que votre système sonne mat ou sans vie. D'un autre côté, les pièces peuvent avoir tellement de surfaces dures que le système sonnera comme dans un gymnase. Expérimentez en ajoutant ou en enlevant des surfaces molles jusqu'à ce que vous trouviez un mélange qui sonne bien.

L'équilibre entre les surfaces dures et molles améliore le rendement des hautes et des moyennes fréquences

Choisir un emplacement de montage

Installez les enceintes Axis et Edge entre les mon-

tants du mur. Installez Vanquish entre les solives du plafond. Faites attention d'éviter les fils électriques derrière les murs et sous le plafond.

Équilibrage de la sortie des graves

Le positionnement en coin de ces enceintes renforcera la sortie des graves. Si vous avez besoin d'une sortie équilibrée dans l'ensemble du spectre audio, évitez de monter ces enceintes dans un coin.

La rigidité du mur donne un meilleur

Le fait d'accroître la rigidité des murs peut améliorer la performance sonore. Pour y arriver, il est recommandé d'ajouter un renforcement à l'intérieur du mur à environ 12 po (30cm) au-dessus et au-dessous de l'enceinte.

Positionnement suggéré des enceintes encastrées au plafond

Bien que les figures 2 à 5 illustrent les installations au plafond, les mêmes directives illustrées dans les figures 2 à 5 peuvent être utilisées lors du positionnement des enceintes avant et des canaux centraux au mur.

Conseils pratiques pour le choix du positionnement :

- Laissez un espace minimal de 12 po (30cm) de tout coin de mur.
- Placez les enceintes avant/centre à équidistance de 10 à 14 pieds (3 à 4,3 m) de la position d'écoute.
- **Vanquish:** Installation au plafond uniquement. Orientez le son vers la position d'écoute.

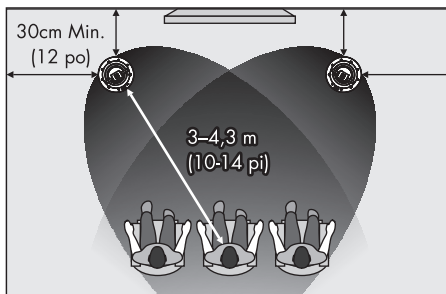


Figure 2. Installation à 2 canaux.

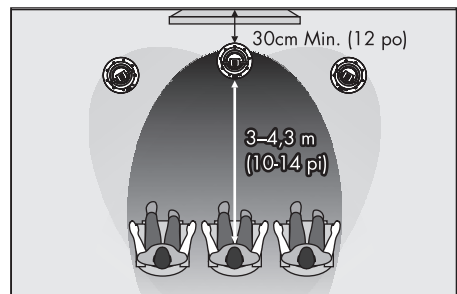


Figure 3. Ajouter un canal central.

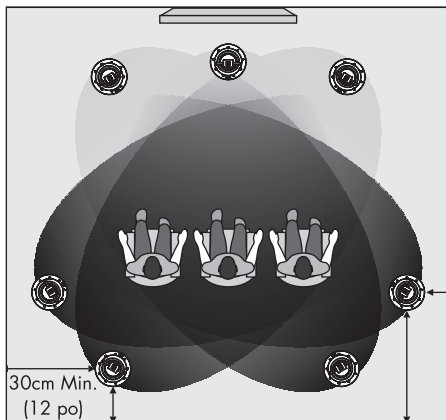


Figure 4. Ajouter des canaux ambiophoniques pour créer une installation à 5 ou 7 canaux.

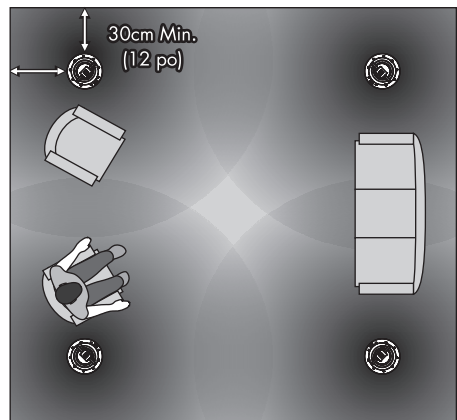


Figure 5. Stéréo audio distribué.

PEINTURER LA GRILLE DE L'ENCEINTE

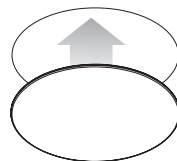
IMPORTANT! Avant de peindre, enlevez la grille des enceintes. De plus, enlevez le disque de tissu fixé à l'intérieur de la grille.

1. Enlevez la grille de l'enceinte. Un disque de tissu protecteur est fixé sur la partie arrière de la grille avec un adhésif. Retirez ce disque de grillage en tirant délicatement sur la grille.
2. Peignez la grille, en faisant attention de ne pas boucher les trous. **AVERTISSEMENT!**

Pour obtenir de meilleurs résultats, utilisez un vaporisateur au lieu d'un pinceau. Laissez la peinture sécher avant de continuer.

3. Fixez doucement le disque à sa place avant de réinstaller la grille de l'enceinte.

Fig. 6



INSTALLATION

REMARQUE : ces instructions supposent que la surface de montage est un cadre en bois standard et une construction en gypse standard. Si vous souhaitez monter les enceintes sur un autre type de matériel, vous devez communiquer avec un entrepreneur cautionné.

REMARQUE : consultez votre revendeur local pour obtenir les nouveaux supports préinstallés (vendus séparément).



AVERTISSEMENT! Avant l'installation, vérifiez les codes de construction locaux pour vous assurer de la conformité aux règlements locaux. **AVERTISSEMENT!**



Avant l'installation, vérifiez la présence d'obstacles derrière la cloison sèche.



Pour y arriver, percez un petit trou, à un angle de 45° (il sera ainsi plus facile de reboucher le trou si des obstacles sont repérés).



Découpez le trou de montage uniquement lorsque vous avez vérifié qu'il n'y a aucun obstacle derrière la cloison sèche. **AVERTISSEMENT!** Utilisez uniquement un câble d'enceinte homologué pour l'utilisation dans un mur. La norme UL est CL2, CL3 et CM. La norme CSA est FT4. **AVERTISSEMENT!** Éteignez l'amplificateur avant de faire ou de défaire tout raccord de signal.

INSTALLATION EDGE/AXIS

Outils recommandés :

- Localisateur de montants
- Crayon aiguisé ou stylo
- Goupille-poussoir
- Couteau/scie à cloison sèche
- Pince à dénuder
- Tournevis Phillips
- Ruban à mesurer
- Ruban adhésif « low-tack »

1. À l'aide d'un localisateur de montants, positionnez le gabarit afin qu'il soit centré entre les montants du mur ou les solives du plafond.
2. Maintenez ou fixez le gabarit en place et tracez le trou de découpe avec un crayon.
3. Enlevez le gabarit et découpez l'ouverture avec un couteau/scie à cloison sèche.
4. Placez l'isolant en fibre de verre au-dessus et au-dessous du trou de découpe. Placez une moitié d'épaisseur d'isolant en fibre de verre derrière l'enceinte.
5. Raccordez le câble d'enceinte. Faites preuve de cohérence en raccordant les fils de rac-

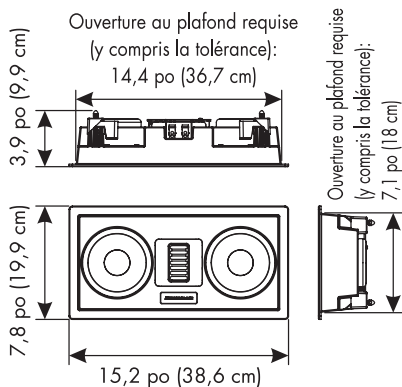
cord de l'enceinte aux bornes de l'enceinte. Prenez soin d'attribuer la même couleur à la borne (+) sur l'enceinte et sur l'amplificateur.

MISE EN GARDE! Éteignez l'amplificateur avant de faire ou de défaire des raccords de signal!



- 6 Placez l'enceinte dans le trou. Orientez le haut-parleur de graves spécialement marqué afin qu'il soit le plus près possible du niveau de l'oreille de l'auditeur dans la position d'écoute principale.
- 7 Utilisez un tournevis Phillips no 2 de 2 pouces et une perceuse électrique pour fixer tous les verrous de montage en place. Utilisez un embrayage bas sur la perceuse.
- 8 Enlevez le couvercle protecteur du haut-parleur d'aigus.
- 9 Le haut-parleur d'aigus Folded Motion XT doit toujours être utilisé en position verticale. Pour y arriver, utilisez vos doigts pour retirer délicatement le montage du haut-parleur d'aigus de l'enceinte, tournez-le de 90 degrés, et remplacez-le (fig. 7).

Fig. 8 Axis



10 Appuyez délicatement pour remettre le déflecteur brillant en place. Enlevez la pellicule protectrice de la garniture.

11 Placez la grille magnétique sur l'enceinte.

Fig. 7

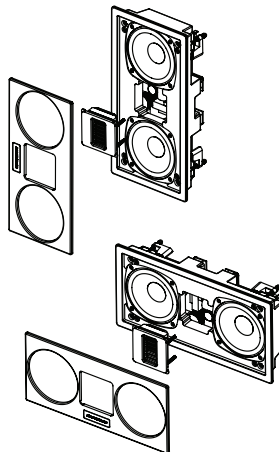
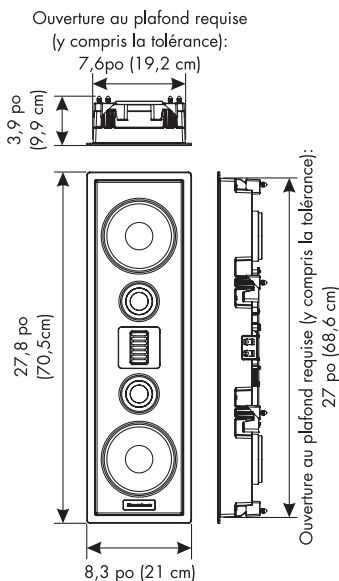


Fig. 9 Edge



INSTALLATION VANQUISH

Outils recommandés :

- Localisateur de montants
 - Crayon aiguisé ou stylo
 - Goupille-poussoir
 - Couteau/scie à cloison sèche
 - Pince à dénuder
 - Tournevis Phillips
 - Ruban à mesurer
 - Ruban adhésif « low-tack »
1. À l'aide d'un localisateur de montants, positionnez le gabarit afin qu'il soit centré entre les montants du mur ou les solives du plafond.
 2. Maintenez ou fixez le gabarit en place et tracez le trou de découpe avec un crayon.
 3. Enlevez le gabarit et découpez l'ouverture avec un couteau/scie à cloison sèche.
 4. Placez l'isolant en fibre de verre de 12 po (30 cm) ou plus entre les solives directement au-dessus de l'enceinte.
 5. Raccordez le câble d'enceinte. Faites preuve de cohérence en raccordant les fils de raccord de l'enceinte aux bornes de l'enceinte. Prenez soin d'attribuer la même couleur à la borne (+) sur l'enceinte et sur l'amplificateur.

MISE EN GARDE! Éteignez l'amplificateur avant de faire ou de défaire des raccords de signal!

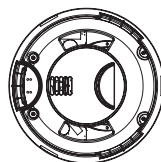


6. Placez l'enceinte dans le trou.
7. Orientez le haut-parleur d'aigus vers la position d'écoute principale. Utilisez un tournevis Phillips no 2 de 2 pouces et une perceuse électrique. En tenant l'enceinte en place par la poignée d'installation, pour chaque ensemble de vis,

serrez les deux vis en alternance, jusqu'à ce que le verrou de montage soit fermement en place.

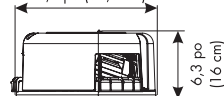
8. Desserrez les écrous à oreilles et enlevez la poignée d'installation.
9. Ajustez les interrupteurs de position. Pour une application en canal central, réglez l'interrupteur « Center Channel / Front or Surround » à « Center Channel ». Pour une application en canal avant ou ambiophonique, réglez l'interrupteur « Center Channel / Front or Surround » à « Front or Surround » et choisissez le réglage de position approprié sur le 2e interrupteur. Veuillez noter : lorsque l'interrupteur « Center Channel / Front or Surround » est réglé à « Center Channel » la position du 2e interrupteur n'est pas importante.
10. Enlevez l'autocollant protecteur qui couvre le haut-parleur d'aigus Folded Motion.
11. Placez la grille magnétique sur l'enceinte.

Fig. 7 Vanquish

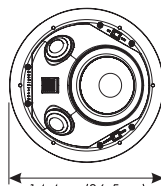


Ouverture au plafond requise
(y compris la tolérance):

13,1 po (33,3 cm)



6,3 po
(16 cm)



14,4 po (36,5 cm)

FOIRE AUX QUESTIONS

Comment nettoyer mes enceintes? Utilisez un linge propre ou une brosse molle pour enlever la poussière sur vos enceintes. Ne vaporisez pas de produit nettoyant sur ou à proximité des haut-parleurs.

Quelle taille d'amplificateur dois-je utiliser? Nous recommandons un amplificateur homologué dans la gamme d'amplificateur approprié pour votre enceinte.

Pouvez-vous me proposer une liste d'appareils électroniques et de câbles qui conviennent aux enceintes MartinLogan? Les questions relatives aux appareils électroniques et aux câbles sont probablement celles que nous recevons le plus souvent. Et ce sont les plus subjectives. Souvent, certaines marques fonctionnent bien dans une configuration et donnent de piètres résultats dans une autre. Nous utilisons de nombreuses marques

avec d'excellents résultats. Encore une fois, nous n'avons pas de produits préférés; nous utilisons les appareils électroniques et les câbles de façon assez interchangeable. Nous vous proposons d'écouter plusieurs marques et surtout, de faire confiance à votre ouïe. Les revendeurs sont toujours la meilleure source de renseignements lorsque vous achetez de l'équipement audio ou des câbles supplémentaires et connaissent bien les exigences de sécurité pour les câbles dans le mur.

Est-ce que l'exposition à la lumière solaire nuira au rendement ou à la durée de vie de mes enceintes? Nous recommandons de ne pas exposer les enceintes directement à la lumière solaire. Les rayons ultraviolets (UV) du soleil peuvent entraîner la détérioration du boîtier, des cônes de l'enceinte, etc. Les expositions de courte durée aux rayons UV ne posent pas de problème. La filtration des rayons UV par le verre diminuera grandement leurs effets négatifs.

DÉPANNAGE

Aucune sortie

- Vérifiez que toutes les composantes du système sont allumées, pas en sourdine, et que le contrôle d'équilibrage (le cas échéant) est réglé de façon appropriée.
- Assurez-vous que la prise murale fonctionne.
- Vérifiez les cordons d'alimentation, les câbles d'enceinte et les câbles d'interconnexion.
- Assurez-vous qu'aucun casque d'écoute n'est branché.
- Échangez les câbles d'enceinte vers l'amplificateur avec ceux d'une enceinte qui fonctionne bien. Si l'absence de sortie est

transmise à une autre enceinte, le problème pourrait être lié à un autre équipement de votre système (amplificateur, préamplificateur, processeur, etc.).

- Essayez de brancher un autre ensemble d'enceintes. L'absence de sortie peut être due à un problème avec une autre composante de votre système (amplificateur, préamplificateur, processeur, etc.)

Manque de graves ou mauvaise image

- Vérifiez les câbles d'enceinte. Est-ce que la polarité est la bonne — (+) à (+) et (-) à (-).

COMMUNIQUER AVEC LE SERVICE À LA CLIENTÈLE

Le service à la clientèle de MartinLogan est disponible du lundi au vendredi, de 8 h à 17 h (heure normale du Centre) en composant le (785) 749-0133 ou en envoyant un courriel à l'adresse service@martinlogan.com.

RENSEIGNEMENTS GÉNÉRAUX

RENSEIGNEMENTS SUR LA GARANTIE

Vos enceintes sont vendues avec une garantie limitée automatique de 90 jours. Vous avez la possibilité d'obtenir, sans frais supplémentaires, une garantie limitée de cinq ans. Pour obtenir la garantie limitée de cinq ans, vous devez remplir et retourner le certificat d'enregistrement à MartinLogan dans les 30 jours qui suivent la date d'achat. Pour plus de commodité, MartinLogan permet également l'enregistrement en ligne à la garantie à l'adresse www.martinlogan.com.

MartinLogan pourrait ne pas honorer les réclamations de service au titre de la garantie à moins d'avoir une carte d'enregistrement à la garantie dûment remplie dans ses dossiers! Si vous n'avez pas reçu de certificat d'enregistrement à la garantie avec vos nouvelles enceintes, il vous est impossible de savoir si vous avez reçu des enceintes neuves. Le cas échéant, communiquez avec votre revendeur MartinLogan.

NUMÉRO DE SÉRIE

Un numéro de série est situé derrière l'enceinte. Le numéro de série est également inscrit sur l'emballage du produit.

SERVICE

Si vous utilisez votre produit MartinLogan dans un pays autre que celui où il a été acheté à l'origine, nous vous demandons de noter ce qui suit :

1 Le distributeur MartinLogan désigné pour tout pays donné est responsable du service au titre de la garantie uniquement pour les appareils distribués par ce pays ou par l'entremise de celui-ci conformément à sa garantie applicable.

2 Si un produit MartinLogan doit faire l'objet de réparations (service) dans un pays autre que celui où il a été acheté à l'origine, l'utilisateur final peut faire réparer le produit chez le distributeur MartinLogan le plus proche, sous réserve des politiques de service locales de ce distributeur, mais tous les coûts des réparations (pièces, main-d'œuvre et transport) seront assumés par le propriétaire du produit MartinLogan.

3 Si, après avoir possédé l'enceinte pendant six mois, vous déménagez dans un pays autre que celui où vous avez acheté l'enceinte, votre garantie peut être transférable. Communiquez avec MartinLogan pour obtenir tous les détails.

SPÉCIFICATIONS*

*Les spécifications peuvent changer sans préavis.

Modèle d'enceinte	Vanquish
Réponse de fréquence du système	37–25,000 Hz ± 3 dB
Dispersion	80° x 30°
Sensibilité	93 dB à 2,83 volts/mètre
Impédance	4 Ohms. Compatible avec des amplificateurs classés 4, 6 ou 8 Ohms.
Fréquence de raccord	400, 850, 2000 Hz
Haut-parleur haute fréquence	1,25 po x 2,4 po (3,2 cm x 6 cm) Transducteur motion plié avec diaphragme de 4,25 po x 2,75 po (11,4 cm x 7 cm).
Haut-parleur de Moyenne Fréquence	Deux cônes en aluminium de 3,5 po (8,9 cm) avec panier en acier estampé. Bouchon protecteur concave.
Haut-parleur basse fréquence	Cône en aluminium de 8 po (20,32 cm) avec panier en aluminium moulé. Bouchon protecteur concave.
Bornes de raccordement	Style poussoir
Composantes	Inducteurs à bobine d'air sur mesure. Condensateurs à film en polypropylène en série et condensateurs électrolytiques à DF bas. Protection de système thermique/courant générale.
Puissance nominale maximale	20–300 watts
Puissance admissible maximale	150 watts
Poids	16 lb (7,3 kg)
Dimension (diamètre x profondeur hauteur x largeur x profondeur) ..	14,4 po x 6,3 po (36,5cm x 16cm)
Ouverture au plafond requise (y compris la tolérance)	13,1 po (33,3cm)
Projection de la surface du mur	0,2 po (0,6cm)
Profondeur requise derrière la surface du mur ..	6,1 po (15,5cm)

Axis

45–25,000 Hz \pm 3 dB

80° x 30°

94 dB à 2,83 volts/mètre

4 Ohms. Compatible avec des amplificateurs classés 4, 6 ou 8 Ohms.

700, 2000 Hz

1,25 po x 2,4 po (3,2 cm x 6 cm) Transducteur motion plié avec diaphragme de 4,25 po x 2,75 po (11,4 cm x 7 cm).

.....

Deux cônes en aluminium de 5,25 po (13,4 cm) avec panier en aluminium moulé. Bouchon protecteur concave.

Style poussoir

Inducteurs à bobine d'air sur mesure. Condensateurs à film en polypropylène en série et condensateurs électrolytiques à Df bas. Protection de système thermique/courant générale.

20–250 watts

125 watts

13 lb (5,9 kg)

15,2 po x 7,8 po x 3,9 po (38,6cm x 19,9cm x 9,9cm)

14,4 po x 7,1 po (36,7cm x 18cm)

0,2 po (0,6cm)

3,7 po (9,4cm)

Edge

42–25,000 Hz \pm 3 dB

80° x 30°

95 dB à 2,83 volts/mètre

4 Ohms. Compatible avec des amplificateurs classés 4, 6 ou 8 Ohms.

400, 1800, 3000 Hz

1,25 po x 2,4 po (3,2 cm x 6 cm) Transducteur motion plié avec diaphragme de 4,25 po x 2,75 po (11,4 cm x 7 cm).

Deux cônes en aluminium de 3,5 po (8,9 cm) avec panier en acier estampé. Bouchon protecteur concave.

Deux cônes en aluminium de 6,5 po (16,5 cm) avec panier en aluminium moulé. Bouchon protecteur concave.

Style poussoir

Inducteurs à bobine d'air sur mesure. Condensateurs à film en polypropylène en série et condensateurs électrolytiques à Df bas. Protection de système thermique/courant générale.

20–300 watts

150 watts

19 lb (8,62 kg)

27,8 po x 8,3 po x 3,9 po (70,5cm x 21cm x 9,9cm)

27 po x 7,6 po (68,6cm x 19,2cm)

0,2 po (0,6cm)

3,7 po (9,4cm)



Lawrence, Kansas, USA tél. 785.749.0133 téléc. 785.749.5320 www.martinlogan.com

P/N: 9500079

©2012 MartinLogan Ltd. All rights reserved. Tous droits réservés.

Rev. #021312