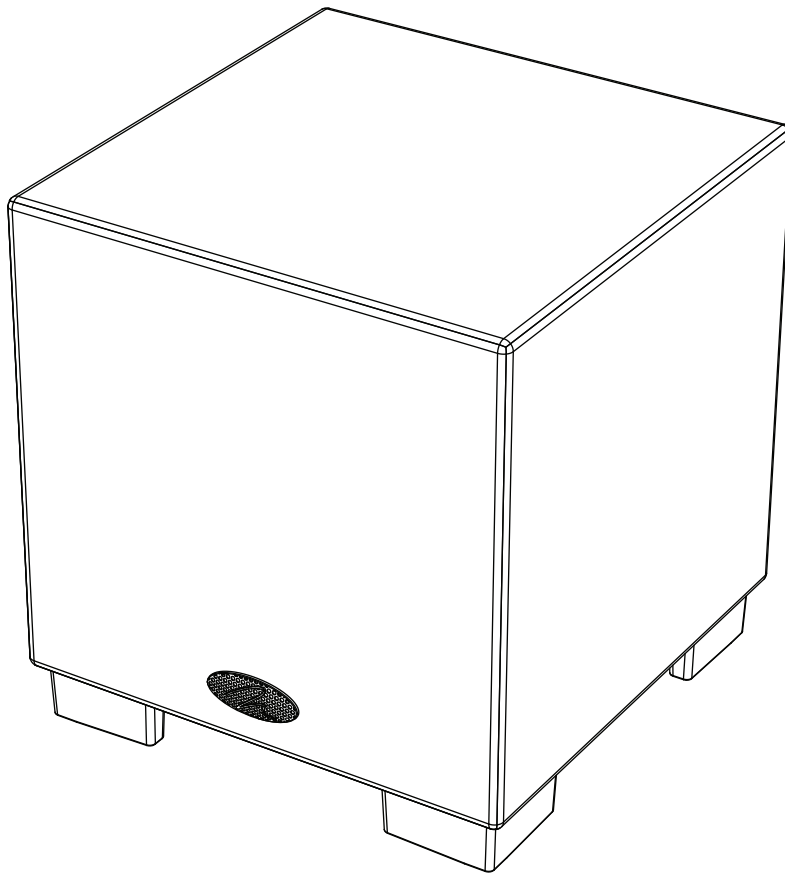
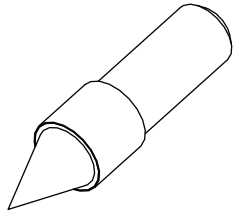


D Y N A M O TM 1 0 0 0

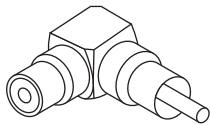


MARTIN LOGAN
DESIGN SERIES

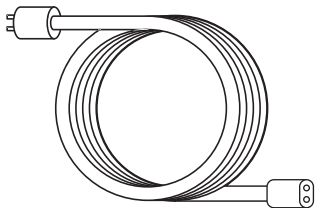
www.MartinLogan.com



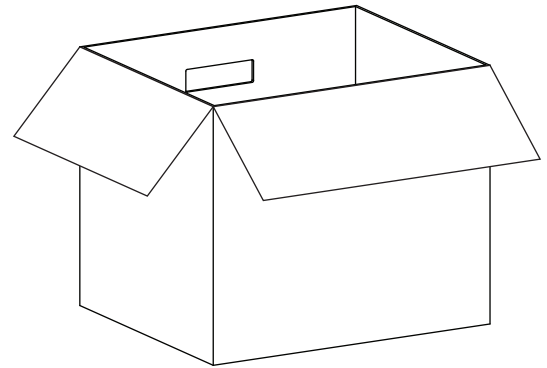
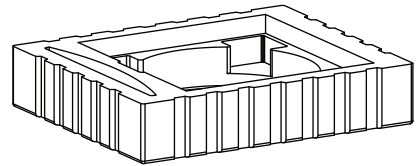
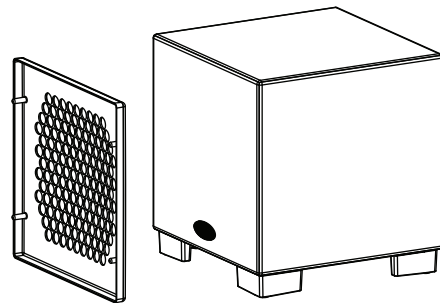
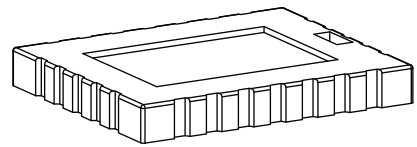
x 4

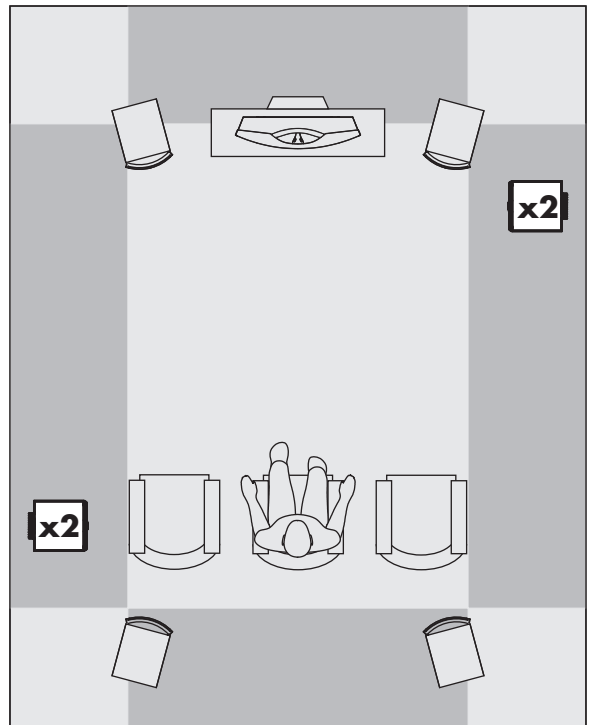
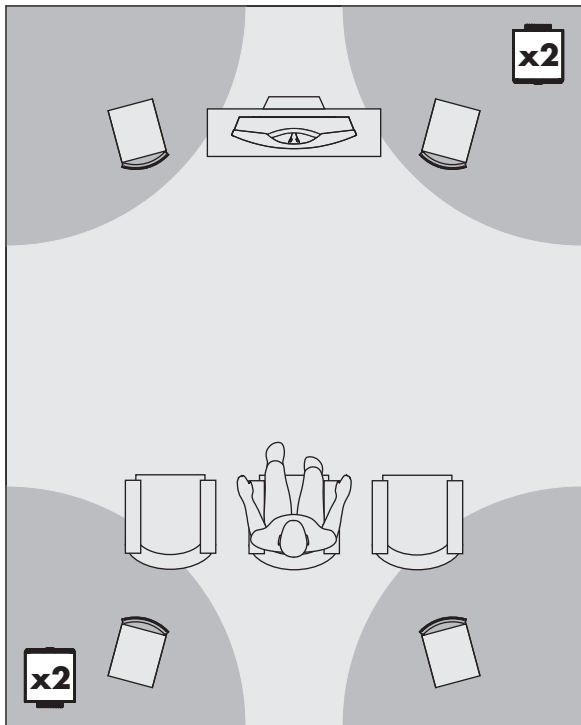
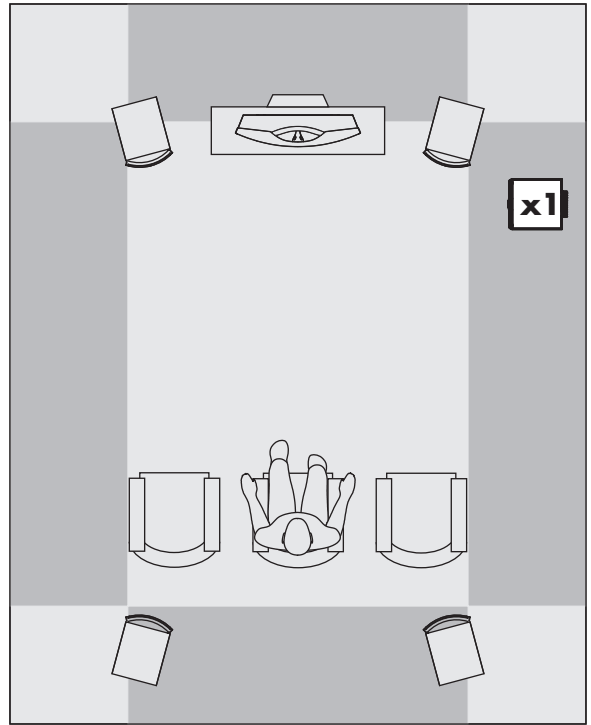
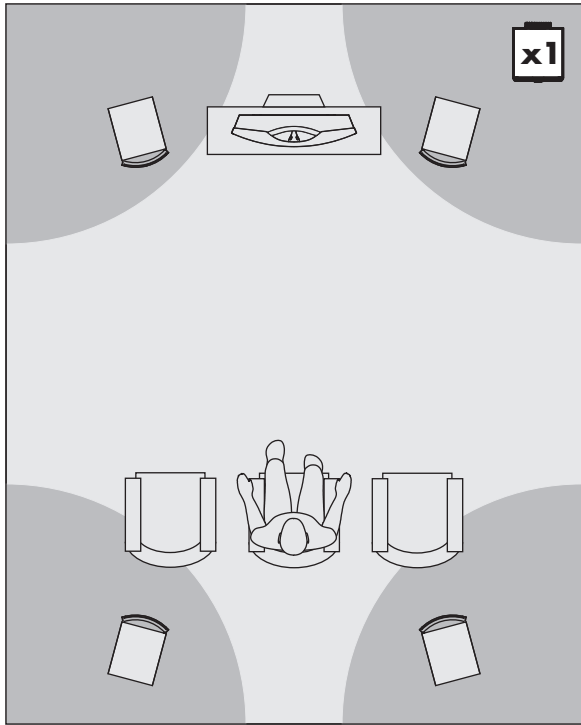


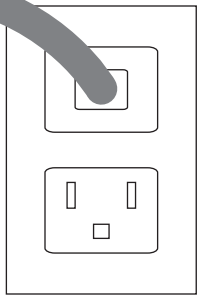
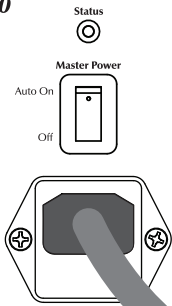
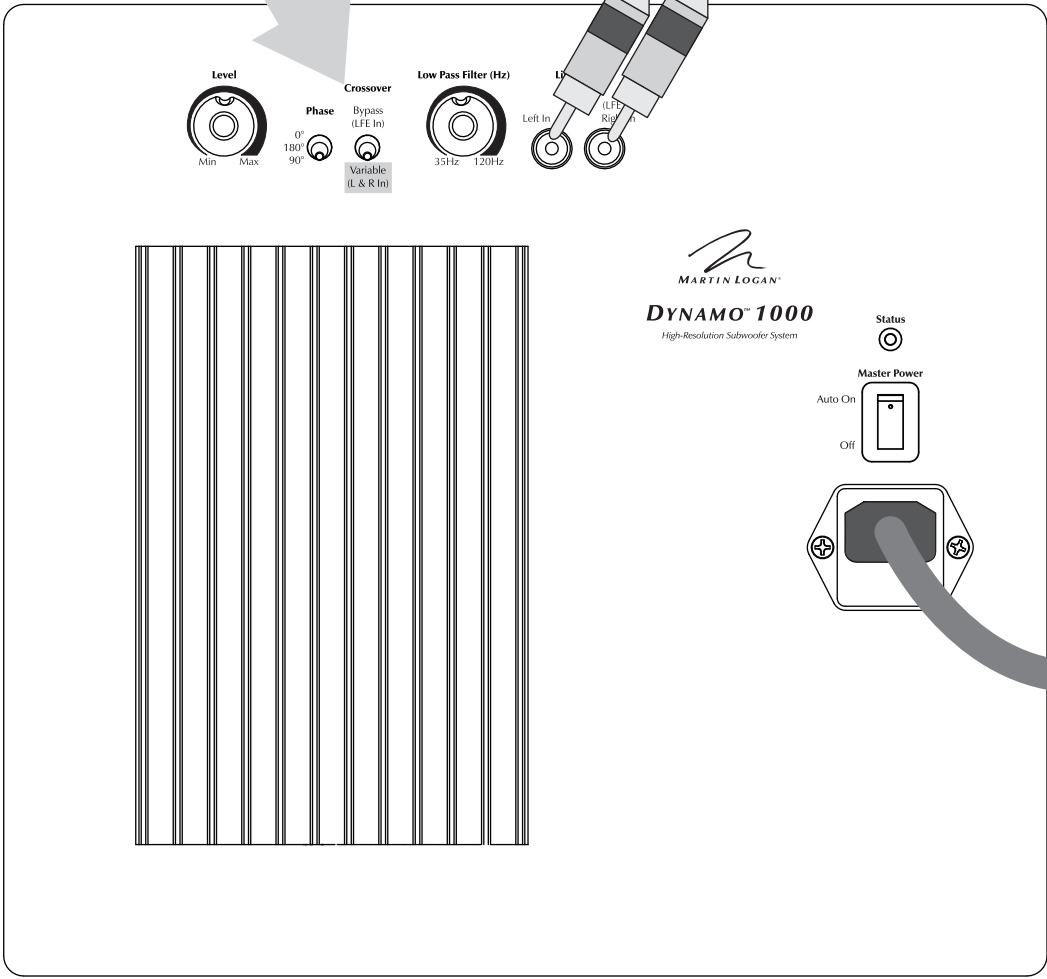
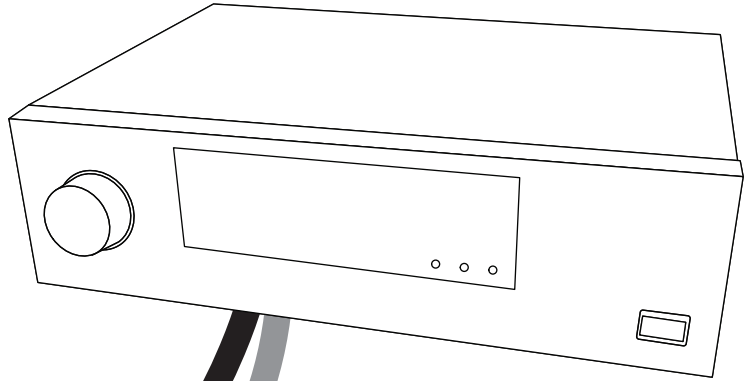
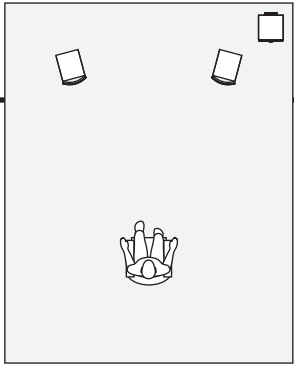
x 2

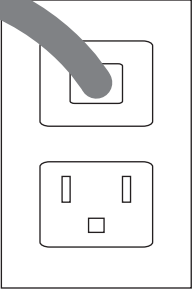
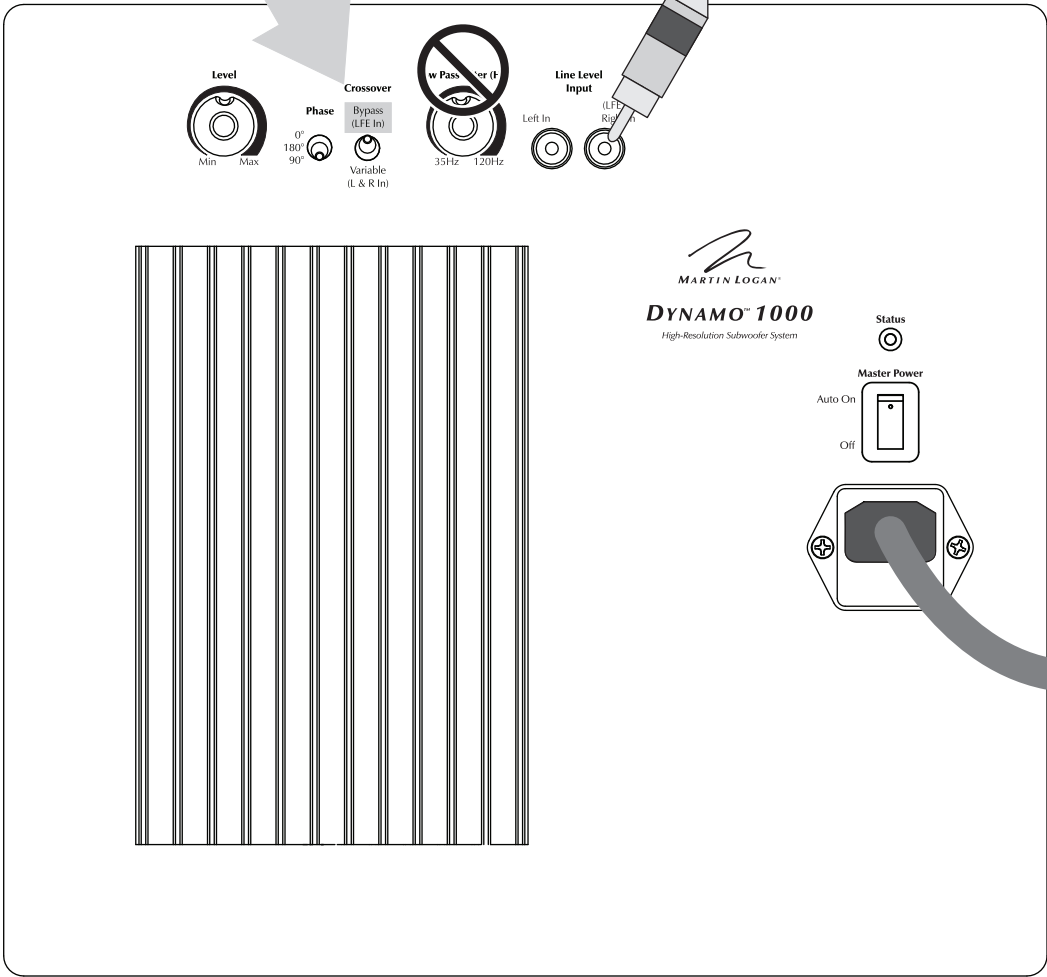
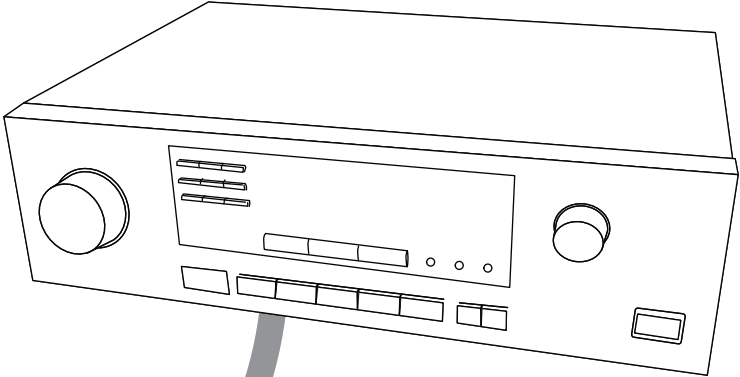
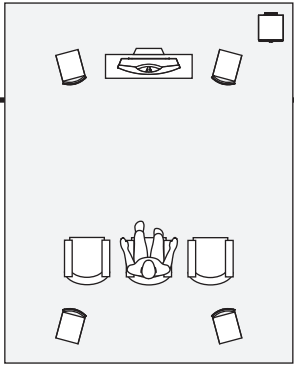


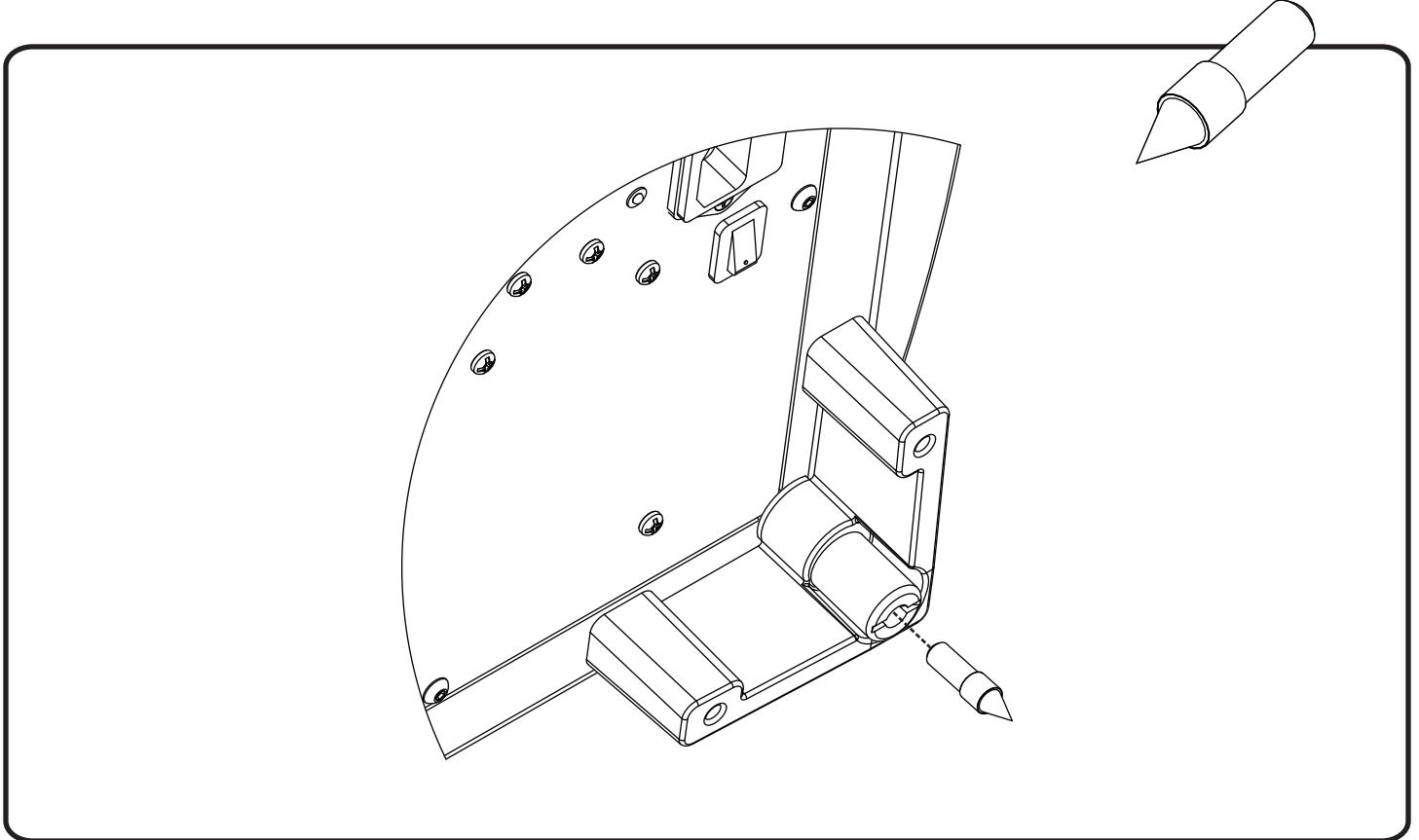
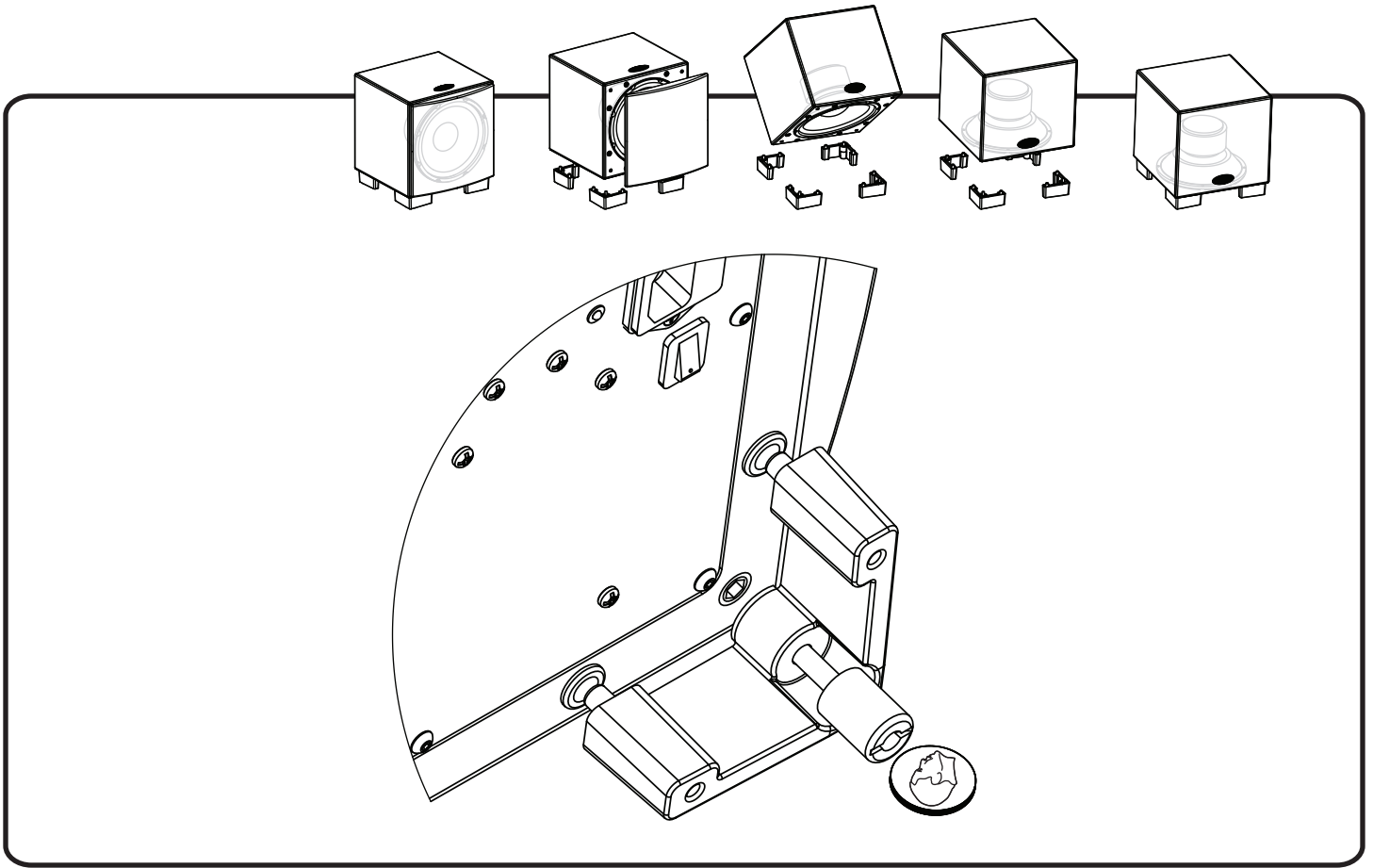
x 1

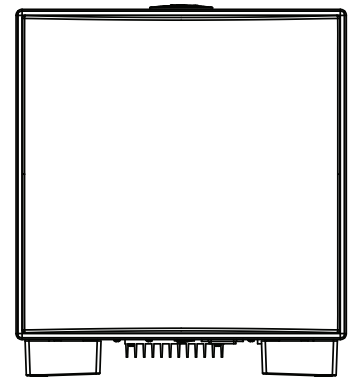
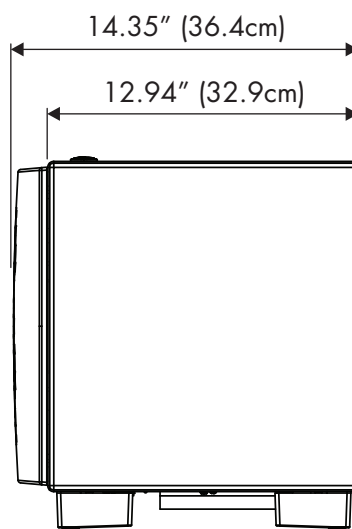
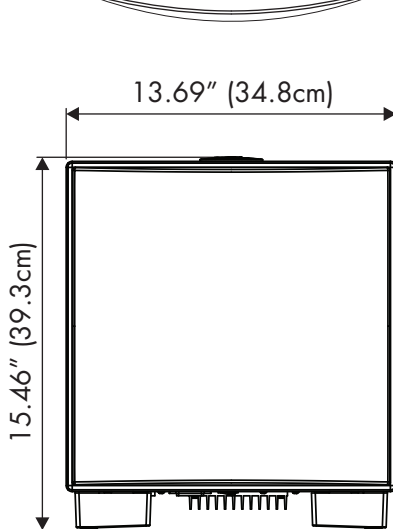
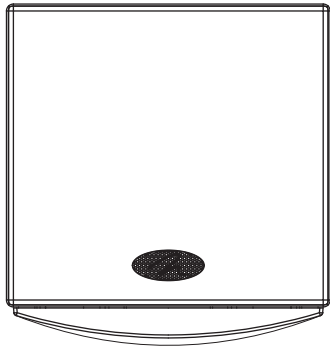
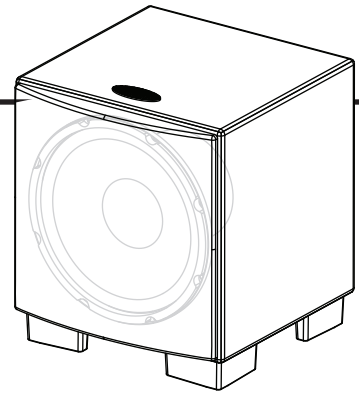


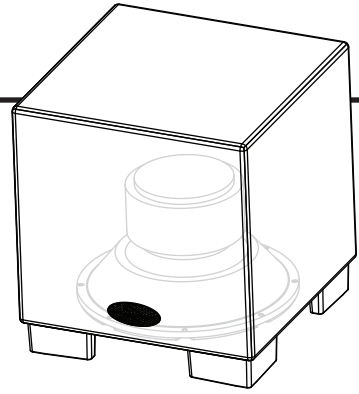






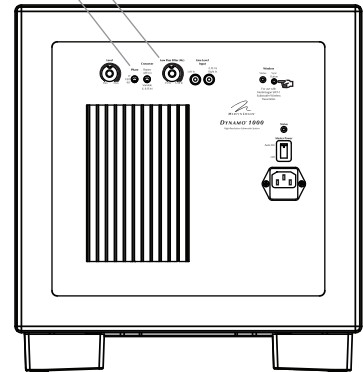
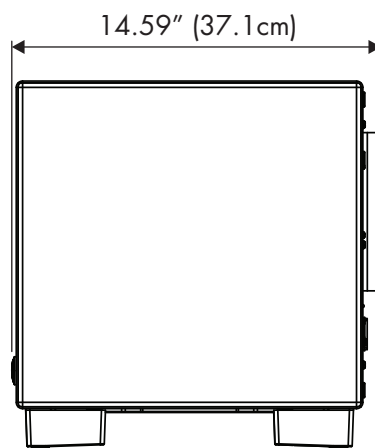
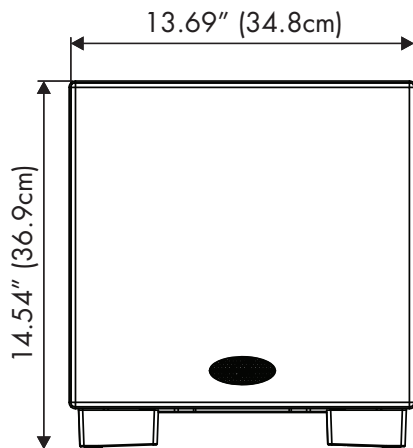
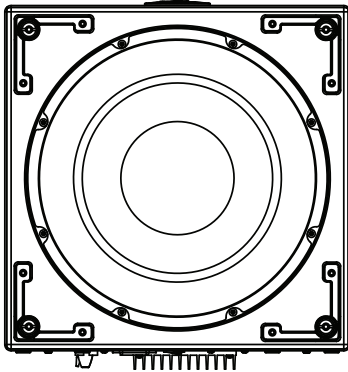






22–200Hz \pm 3dB
500 watts (1,000 watts peak)
34 lbs. (15.4kg)

0° / 90° / 180°
35Hz–120Hz



MARTIN LOGAN
DESIGN SERIES

©2009 MartinLogan, Ltd. All rights reserved.
Rev. #043009