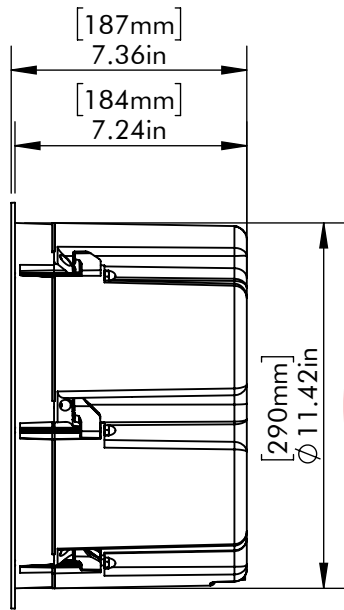
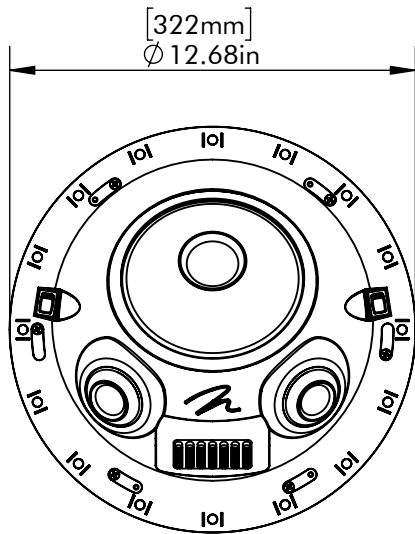
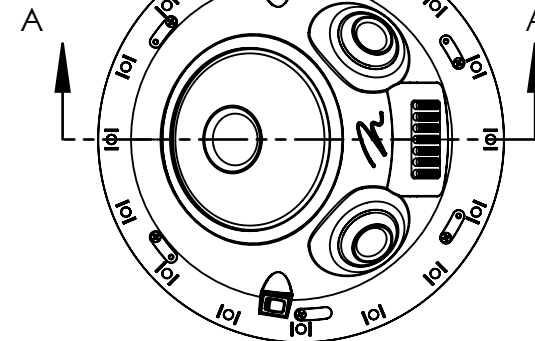
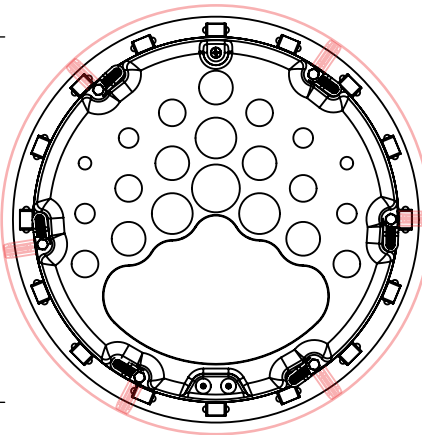


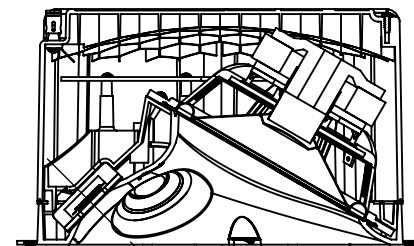
GRILL OFF



MOUNTING LOCKS
EXTEND 0.12in [3mm]
BEYOND ALL EDGES

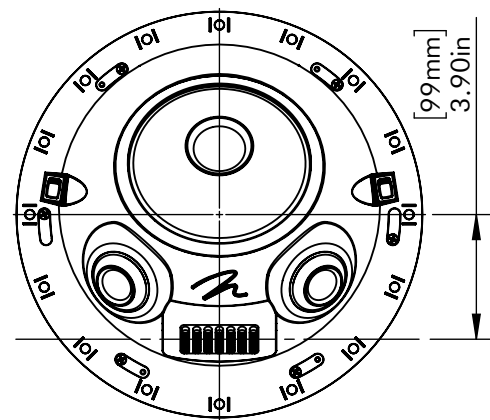


SECTION A-A

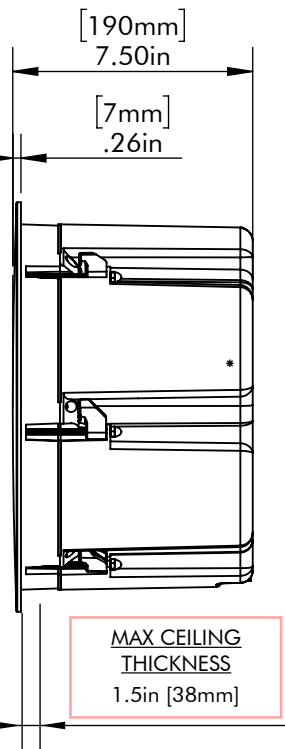
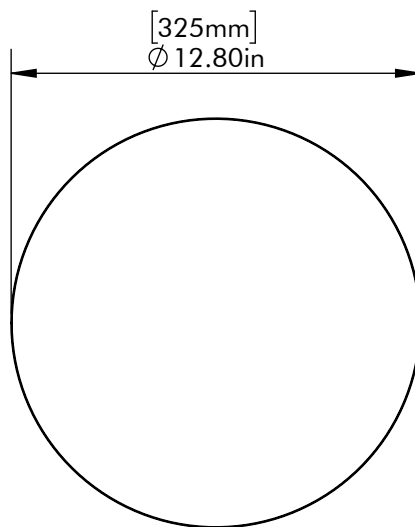


45.00° TWEETER ANGLE

TWEETER OFFSET



GRILL ON



SISTINE 4XC
DIMENSION
DRAWING

MAX CEILING
THICKNESS
1.5in [38mm]

CUTOUT DIAMETER
(WITH TOLERANCE)
11.46in [291mm]