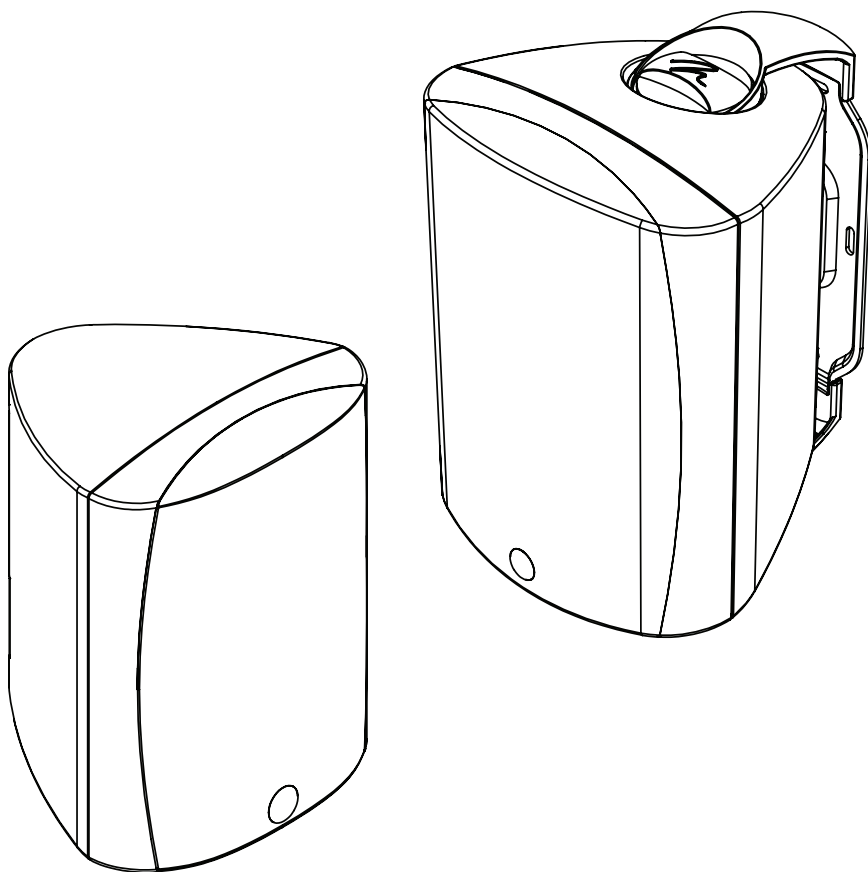


ML-45 | ML-55

u s e r ' s m a n u a l



INSTALLER SERIES

by *MARTIN LOGAN*®

Register your warranty online at www.MartinLogan.com.

Content Check List	2	Connecting the Speakers	8
Safety Warnings	2	Frequently Asked Questions	8
WEEE Recycling	2	Troubleshooting	9
Cleaning and Protecting Your Investment.	3	Warranty	9
Speaker Placement	4	Service	9
Connections and Cables	4	Dimensional Drawings	10
Installation	6	Specifications	11

Content Check List

You will find the following items enclosed for your new MartinLogan loudspeaker. Should you require assistance please call our service department at (785) 749-0133.

- | | |
|--|--|
| <input type="checkbox"/> (4) 1-inch #12 screws | <input type="checkbox"/> (2) Wall Brackets (ML-45) |
| <input type="checkbox"/> (2) Safety straps (ML-45) | <input type="checkbox"/> (2) U-Brackets (ML-55) |
-

Safety Warnings



The lightning bolt flash with arrowhead symbol within an equilateral triangle is intended to alert the user to the presence of uninsulated “dangerous voltage” within the product’s enclosure that may be of sufficient magnitude to constitute a risk of electric shock.



The exclamation point within an equilateral triangle is intended to alert the user to the presence of important operating and maintenance (servicing) instructions in the literature accompanying the appliance.



WARNING!

- Refer servicing to a qualified technician.
- Turn amplifier off should any abnormal conditions occur.
- Do not drive speaker beyond its rated power.

WEEE Recycling



In accordance with the European Union WEEE (Waste Electrical and Electronic Equipment) directive effective August 13, 2005, we would like to notify you that this product may contain regulated materials which upon disposal, according to the WEEE directive, require special reuse and recycling processing.

For this reason MartinLogan has arranged with our distributors in European Union member nations to collect and recycle this product at no cost to you. To find your local distributor please contact the dealer from whom you purchased this product, email info@martinlogan.com or visit the distributor locator at www.martinlogan.com.

Please note, only this product itself falls under the WEEE directive. When disposing of packaging and other related shipping materials we encourage you to recycle these items through the normal channels.

Cleaning and Protecting Your Investment

Your new all-weather speakers are constructed from durable materials to provide years of trouble free outdoor listening enjoyment (even under extreme weather conditions).

To clean the exterior of your speakers use a soft, damp cloth or gentle spray from a garden hose.

When considering placement we urge you to consider the following:

- Do not use a pressure washer to clean the speaker.
- Do not spray directly through the grill into the drivers.
- Do not allow speaker to come into contact with lawn and garden chemicals or strong or abrasive cleaning chemicals.
- Do not place speaker in the discharge from a sprinkler.
- Do not place speaker in a location where they will be splashed with pool water.
- Do not place speaker in direct sunlight if at all possible..

When connecting your speaker to electronics we urge you to consider the following:

- Use an amplifier that approximately matches the speaker's specified power handling.
- To avoid damage, turn down the volume if the speaker sounds like it is distorting, sounds harsh, or the bass begins to break up.
- Tone controls and equalizers may increase the likelihood of distortion, especially at high volumes. Use these setting sparingly.

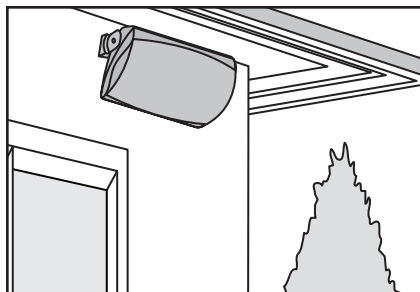


Figure 1. Close up of a speaker under a soffit.

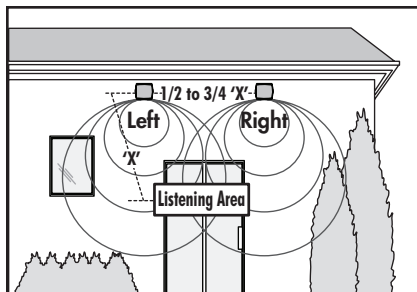


Figure 2. Two speakers used for stereo sound.

Speaker Placement

The included mounting bracket(s) allows for installation in locations such as:

- Mounted to an exterior wall under a roof soffit minimizing exposure to sunlight/rain (as shown in figure 1)
- On an exterior wall.
- In a gazebo.
- On a deck or railing.

Determining the Correct Distance Between Left and Right Speakers

Ideally you want to place the speakers far enough apart to achieve stereo imaging, but not so far apart that you are unable to hear both speakers simultaneously in the primary listening area. As a rule of thumb, distance between your speakers should equal 50–75% of the distance from the listening area. For example, if you have a grilling or lounging area 20 feet (6 meters) away, the speakers should be 10–15 feet (3–4.5 meters) apart.

Connections and Cables

Using Multiple Speakers on One Amplifier Channel

If you plan to use multiple speakers in series on a single amplifier channel, please remember to check your amplifiers minimum safe speaker impedance load (ohms).



ML-45 and ML-55 speakers are rated at 8-ohms per channel. Additional speakers connected to a single amplifier channel will drop nominal impedance. To calculate the ohm load divide the ohm rating of a single channel by number of speakers (i.e. 8-ohm rating / 4 speakers = 2-ohm load). Determine if your amp can handle the load and plan accordingly.

Notes About Speaker Cable

Before proceeding, carefully read the precautions below.



Before running speaker cable through walls, under walkways, patios, etc., check local building codes or contact a qualified installer (see your dealer).



Before digging, verify location of gas lines and buried cables with local utility companies.

Information on running speaker cable through walls, under walkways, patios, etc. is not included in this manual. If you are not comfortable with this sort of installation, contact a qualified installer (see your dealer).

Preparing the Cable

Always use high-quality, moisture-resistant speaker cable (see your dealer).

1. Measure and mark path from amplifier to speakers to determine length of cables.
2. Add 2–3 feet (0.6–0.9 meters) extra to allow some play when installing.
3. Select correct gauge using the chart below.
4. If the cable is to be run underground it must be rated for direct burial and/or enclosed in PVC pipe to prevent deterioration over time. Contact a qualified installer before commencing installation (see your dealer).
5. Cut cable to the required length and strip the outer casing about 2 inches (5cm) on both ends.
6. Strip inner insulation on both wires back about ½-inch (1.25cm) on both ends.

The following chart identifies the minimum gauge requirements for cable by length.

Minimum Wire Gauge Requirements	
Length	Gauge/Diameter
Less than 15 feet (4.5 m)	16 awg / 0.05 inch (1.3 mm)
Less than 30 feet (9 m)	14 awg / 0.06 inch (1.6 mm)
More than 30 feet (9 m)	12 awg / 0.08 inch (2 mm)

Installation

Recommended tools and hardware (not included):

- (2) Mounting screws per speaker
- Screwdriver
- Tape measure

CAUTION! Mount speakers securely so that they do not fall and cause personal injury or damage to property.



Mounting Surfaces: Carefully evaluate the composition, construction and strength of the surface on which you are mounting the speaker. When mounting in masonry, wood, and/or other solid surface, consult a professional regarding the proper hardware for mounting the installation brackets provided with your speakers.



Specific Use: Brackets provided with these speakers are only suitable for the speaker they come with. Do not use them with any other speaker.



Always use secondary restraining hardware to prevent personal injury or damage to property.

Non-Liability: We are aware that the mounting assembly provided with these speakers could be used for purposes and in ways other than those for which it was intended. The Manufacturer, Distributor, Retailer, and their respective Agents cannot be held responsible or liable for injuries or property damage—direct, indirect, or consequential—arising from the use of, or inability to use, this product safely and properly.

Every effort has been made to provide accurate and error-free installation instructions. MartinLogan Ltd. disclaims liability for difficulties that may arise from the misinterpretation of information contained in these instructions.

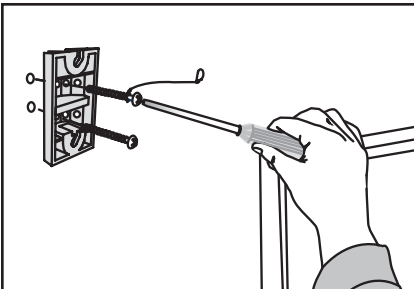


Figure 3. Installing the hanger bracket.

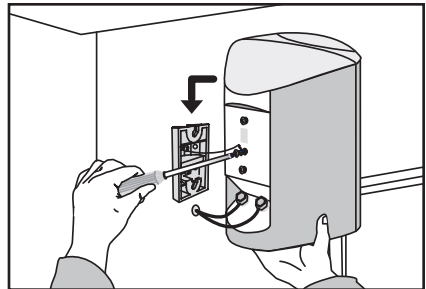


Figure 4. Mounting speaker on the bracket.

Mounting with the Supplied 'Hanger Bracket' (ML-45 only)

The ML-45 can be mounted horizontally or vertically.

1. Using appropriate screws/mounting hardware (not included), mount the bracket with the supplied safety strap on the wall at the desired location (figure 3). Make sure the bracket is straight.
2. Screw two 1-inch #12 screws (included) into the upper and lower holes spaced 2 3/8-inch (60 mm) apart on the back of the speaker's enclosure. Do not screw them all of the way in—make sure they protrude about 1/8-inch (3 mm).
3. Bring the speaker to the bracket and connect the cables as outlined in this manual. Connect the safety strap to the speaker using the middle hole (figure 4). Mount the speaker onto the bracket using an 'in and down' motion.

For horizontal mounting simply mount the bracket horizontally with the key hole slots facing up. Follow steps 1 to 3 (above) to complete horizontal installation.

Wall-Mounting with Supplied 'U-Bracket' (ML-55 only)

These speakers can be mounted horizontally or vertically with the 'U-Bracket'.

1. Unscrew the knobs from either end of the speaker.
2. Using appropriate screws/mounting hardware (not included), mount the bracket and a safety strap (not included, see dealer) on the wall in the desired location. Make sure the bracket is straight. In-wall speaker wire can then be directed through the large opening in this bracket which allows connection from behind the speaker terminals to hide the speaker wire.
3. Bring the speaker up to the bracket and connect the speaker cable as outlined below.

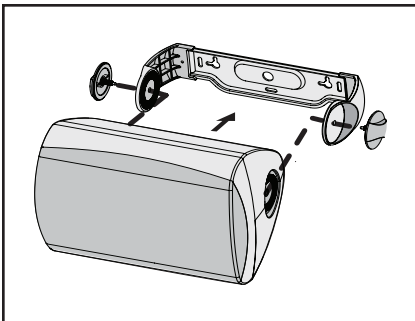


Figure 5. Mounting speaker on the U-bracket.

4. Pull the bracket slightly apart and fit the speaker into the bracket, one end at a time to avoid scratching the enclosure (figure 5).
5. Screw the knobs through the holes in the mounting bracket and into the speaker. Angle the speaker to orient towards the desired position. Tighten the knobs snugly, but do not over-tighten them.

Connecting the Speakers



WARNING! Turn your amplifier off before making or breaking any signal connections. This will avoid damage which could result from accidental shorting of speaker cables.

Your speakers are equipped with high-quality binding posts that can be used with banana, pin or spade connectors, as well as with bare wire. Connect one speaker at a time to your amplifier.

1. Connect the red (+) amplifier terminal to the red (+) speaker terminal and the black (-) amplifier terminal to the black (-) speaker terminal. Tighten the posts firmly by hand, but don't over-tighten them.
2. Repeat step 1 for other speaker(s).

If a speaker is not working correctly, refer to "Troubleshooting" on the following page of this manual.

Frequently Asked Questions

How do I clean my speakers? See "Cleaning and Protecting Your Investment" on page 3 of this manual.

What size amplifier should I use? We recommend an amplifier rated within the suitable amplifier range of your speaker.

Could you suggest a list of suitable electronics and cables that would be ideal for MartinLogan speakers? The area of electronics and cable choice is probably the most common type of question that we receive. It is also the most subjective. We have repeatedly found that brands that work well in one setup will drive someone else nuts in another. We use many brands with great success. Again, we have no favorites; we use electronics and cables quite interchangeably. We would suggest listening to a number of brands—and above all else—trust your ears. Dealers are always the best source for information when purchasing additional audio equipment or cables and will be well versed in the subject of special safety requirements for in-wall cable.

Will exposure to sunlight affect the life or performance of my speakers? We recommend that you not place any loudspeaker in direct sunlight. The ultraviolet (UV) rays from the sun can cause deterioration of speaker cones, etc. For installation of an all-weather speakers we recommend as little direct sunlight as an installation will allow.

Troubleshooting

No Output

- Check that all your system components are turned on, not muted, and that your balance control (if applicable) is set correctly.
- Check to make sure your power outlet at the wall is working.
- Check your power cords, speaker wires, and interconnecting cables.
- Check to make sure no headphones are plugged in.
- Swap speaker wires at your amplifier with those of a speaker that is functioning correctly. If the lack of output moves to a different speaker the problem could be with other equipment in your system (i.e. amp, pre-amp, processor, etc.)
- Try hooking up a different set of speakers. If the lack of output moves to a different speaker the problem could be with other equipment in your system (i.e. amp, pre-amp, processor, etc.)

Lack of Bass or Poor Imaging

- Check your speaker wires. Is the polarity correct — (+) to (+) and (-) to (-)?
-

Warranty

MartinLogan offers online warranty registration at www.martinlogan.com.

Your speaker is provided with an automatic Limited 90 Day Warranty coverage.

You have the option, at no additional charge, to receive a Limited 2 Year Warranty coverage. To obtain the Limited 2 Year Warranty coverage register your speakers at www.martinlogan.com. Save a copy of your dealer receipt as it may be requested if service is required.

MartinLogan may not honor warranty service claims unless we have a completed Warranty Registration on file at www.MartinLogan.com!

Service

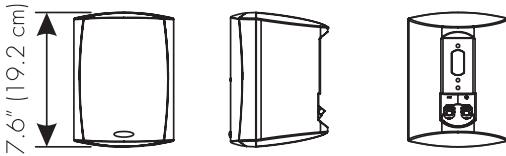
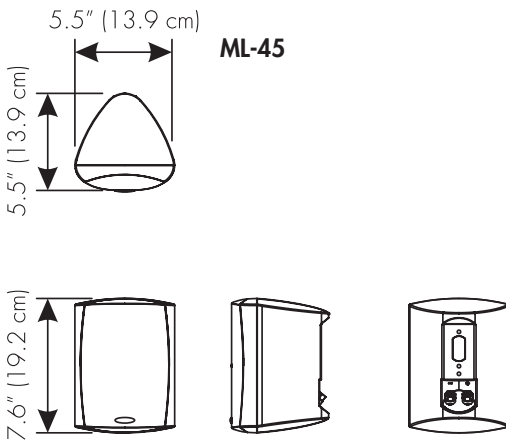
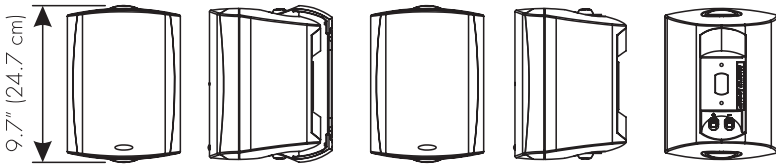
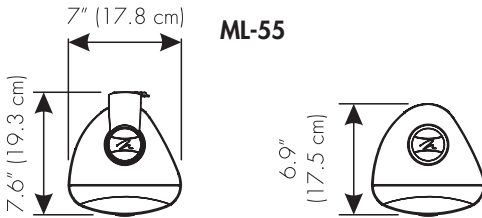
Should you be using your MartinLogan product in a country other than the one in which it was originally purchased, we ask that you note the following:

- 1 The appointed MartinLogan distributor for any given country is responsible for warranty servicing only on units distributed by or through it in that country in accordance with its applicable warranty.

- 2 Should a MartinLogan product require servicing in a country other than the one in which it was originally purchased, the end user may seek to have repairs performed by the nearest MartinLogan distributor, subject to that distributor's local servicing policies, but all cost of repairs (parts, labor, transportation) must be borne by the owner of the MartinLogan product.

- 3 If, after owning your speakers for six months, you relocate to a country other than the one in which you purchased your speakers, your warranty may be transferable. Contact MartinLogan for details.

Dimensional Drawings



Specifications

Speaker Model	ML-45	ML-55
System Freq. Response . .	90–20,000 kHz \pm 2 dB	85–20,000 kHz \pm 2 dB
Aiming	N/A	Swivels on U-Bracket
Sensitivity	88dB	90dB
Impedance	Compatible with 8 ohms	Compatible with 8 ohms
Crossover Frequency . . .	2,300 kHz	2,300 kHz
Low-Frequency Extension*	65 Hz (DIN)	60 Hz (DIN)
High-Frequency Driver . .	1" (2.5cm) titanium dome	1" (2.5cm) titanium dome
Low-Frequency Driver . . .	4 1/2" (11.5cm) mineral-filled polypropylene cone	5 1/2" (14cm) mineral-filled polypropylene cone
Binding Post Inputs	5-way binding posts accommodate wire up to 5AWG	5-way binding posts accommodate wire up to 5AWG
Suitable Amplifier Range	15–80 Watts	15–90 Watts
Maximum Power Handling**	50 Watts	60 Watts
Weight	3.4 lbs. each (1.55 kg)	6.75 lbs. each (3.05 kg)
Size (h x w x d)	7 5/8" x 5 1/2" x 5 1/2" (19.2 x 13.9 x 13.9cm)	9 3/4" x 7" x 6 7/8" (24.7 x 17.8 x 17.5cm)

*DIN 45 500. Indicates -3 dB in a typical listening room.

**With typical program source, provided the amplifier clips no more than 10% of the time.

***Specifications are subject to change without notice.

INSTALLER SERIES

by **MARTIN LOGAN**[®]

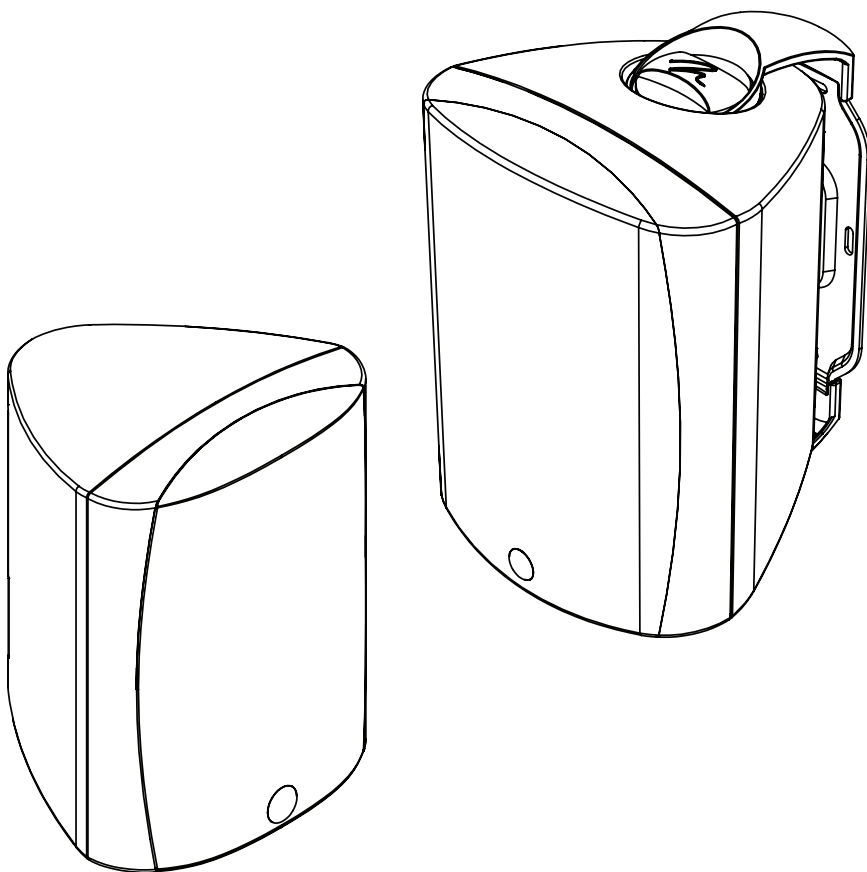
Lawrence, Kansas, USA tel 785.749.0133 www.martinlogan.com

©2011 MartinLogan. All rights reserved.

Rev. #041511

ML-45 | ML-55

guide de l'utilisateur



SÉRIE INSTALLER

par *MARTIN LOGAN*®

Inscrivez votre garantie en ligne à l'adresse www.MartinLogan.com.

Liste de vérification du contenu	2	Raccordement des enceintes	8
Avertissements de sécurité	2	Foire aux questions	8
Recyclage WEEE	2	Dépannage	9
Nettoyer et protéger votre investissement.	3	Garantie	9
Positionnement des enceintes	4	Service	9
Raccords et câbles	4	Plans dimensionnels	10
Installation	6	Spécifications	11

Liste de vérification du contenu

Vous trouverez les éléments suivants dans la boîte pour votre nouvelle enceinte MartinLogan. Si vous avez besoin d'aide, veuillez appeler notre département de service en composante le 785-749-0133.

- | | |
|-------------------------------------|--------------------------------|
| __ (4) vis # 12 de 1-pouce | __ (2) Supports muraux (ML-45) |
| __ (2) Courroie de sécurité (ML-45) | __ (2) Supports en U (ML-55) |

Avertissements de sécurité



Le symbole de l'éclair avec une pointe en forme de flèche, dans un triangle équilatéral, avertit l'utilisateur de la présence d'une « tension dangereuse » potentielle près du produit qui peut être suffisante pour constituer un risque de décharge électrique.



Le point d'exclamation dans un triangle équilatéral avertit l'utilisateur de la présence de directives importantes en matière de fonctionnement et d'entretien (service) dans les documents qui accompagnent l'appareil.



AVERTISSEMENT!

- Consultez un technicien compétent pour les réparations.
- Fermez l'amplificateur si une condition anormale survient.
- Ne poussez pas l'enceinte au-delà de sa puissance nominale.

Recyclage WEEE



En vertu de la directive WEEE de l'Union européenne (directive sur les déchets électriques et électroniques) entrée en vigueur le 13 août 2005, nous vous avisons que ce produit pourrait contenir des matériaux réglementés dont l'élimination doit faire l'objet de procédures de réutilisation et de recyclage particulières.

À cette fin, Martin Logan a demandé à ses distributeurs dans les pays membres de l'Union européenne de reprendre et de recycler ce produit gratuitement. Pour trouver le distributeur le plus près, communiquez avec le revendeur du produit, envoyez un courriel à info@martinlogan.com ou consultez le site www.martinlogan.com.

Notez que seul le produit est régi par la directive WEEE. Nous vous encourageons à recycler les matériaux d'emballage et autres matériaux d'expédition selon les procédures normales.

Nettoyer et protéger votre investissement

Vos nouvelles enceintes extérieures sont fabriquées avec des matériaux durables qui vous fourniront des années de fonctionnement extérieur sans tracas (même lors de conditions climatiques extrêmes).

Pour nettoyer l'extérieur des enceintes, utilisez un linge doux et humide ou le jet délicat d'un boyau de jardin.

Lorsque vous pensez au positionnement, nous vous recommandons fortement ce qui suit :

- Ne pas utiliser de machine à pression pour nettoyer l'enceinte.
- Ne pas projeter de jet d'eau directement à travers la grille vers les éléments acoustiques.
- Éviter tout contact entre l'enceinte et les produits chimiques pour la pelouse ou le jardin ou avec des produits nettoyants chimiques forts ou abrasifs.
- Ne pas positionner les enceintes en ligne directe avec un arroseur fixé au sol.
- Ne pas mettre les enceintes à un endroit où elles pourraient être éclaboussées par l'eau d'une piscine.
- Autant que possible, éviter de placer les enceintes en plein soleil.

Lorsque vous raccordez l'enceinte à des appareils électroniques, nous vous recommandons ce qui suit :

- Utiliser un amplificateur qui correspond approximativement à la puissance admissible de l'enceinte.
- Pour éviter les dommages, baisser le volume si le son de l'enceinte est déformé ou dur, ou si les graves commencent à couper.
- Les commandes de tonalité et les égalisateurs peuvent accroître les possibilités de déformation du son, particulièrement à volume élevé. Utiliser ces commandes avec parcimonie.

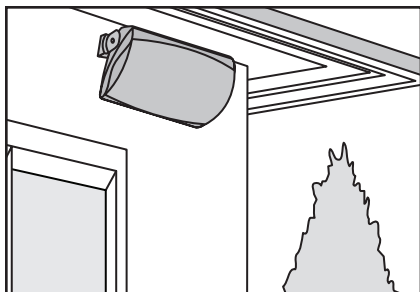


Figure 1. Gros plan sur une enceinte située sous un soffite.

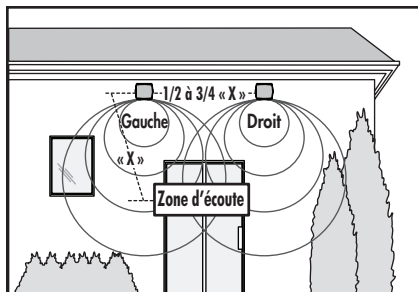


Figure 2. Deux enceintes utilisées pour le son en stéréo.

Positionnement des enceintes

Le ou les supports de montage inclus vous permettent d'effectuer l'installation dans des endroits comme :

- Montées sur un mur extérieur sous un soffite du toit pour minimiser l'exposition à la lumière solaire/pluie (tel qu'illustré à la figure 1).
- Sur un mur extérieur.
- Dans un gazébo.
- Sur une terrasse ou une rampe.

Déterminer la distance appropriée entre l'enceinte gauche et l'enceinte droite

Idéalement, il est recommandé de placer les enceintes assez loin l'une de l'autre pour obtenir une image stéréo, mais pas assez loin l'une de l'autre pour vous empêcher d'entendre les deux enceintes simultanément dans la zone d'écoute principale. En général, la distance entre vos enceintes doit équivaloir à 50 à 75 % de la distance par rapport à la zone d'écoute principale. Par exemple, si vous avez une zone de cuisson sur grill ou de repos située à 20 pieds (6 mètres), les enceintes doivent être positionnées de 10 à 15 pieds (3 à 4,5 mètres) l'une de l'autre.

Raccords et câbles

Utilisation de plusieurs enceintes sur un canal de l'amplificateur

Si vous prévoyez d'utiliser plusieurs enceintes en série sur un canal de l'amplificateur, n'oubliez pas de vérifier la charge d'impédance (ohms) minimale sécuritaire pour les enceintes de votre amplificateur.



Les enceintes ML-45 et ML-55 sont classées à 8-ohms par canal. Les enceintes additionnelles raccordées à un seul canal d'amplificateur feront baisser l'impédance nominale. Pour calculer la charge en ohm, divisez la charge nominale en ohm d'un seul canal par le nombre d'enceintes (c.-à-d. charge nominale de 8-ohms / 4 enceintes = charge de 2-ohms). Déterminez si votre amplificateur peut supporter la charge et planifiez en conséquence.

Remarques au sujet des câbles d'enceinte

Avant de commencer, lisez attentivement les consignes de sécurité ci-dessous.



Avant de faire passer les câbles de raccordement d'enceinte dans des murs, sous des allées, des terrasses, etc., consulter les exigences du code du bâtiment local ou communiquer avec un installateur qualifié (consulter le revendeur).



Avant de creuser pour installer des câbles, vérifier auprès des services publics locaux l'emplacement de conduites de gaz et de câbles électriques.

Le présent manuel ne fournit pas d'information sur l'installation de câbles à travers des murs, sous des allées ou des terrasses, etc. En cas d'incertitude concernant ce type d'installation, communiquer avec un installateur qualifié (consulter le revendeur).

Préparation du câble

Toujours choisir des câbles de haute qualité résistant à l'humidité (consulter le revendeur).

1. Mesurer et jalonner le parcours allant de l'amplificateur aux enceintes pour déterminer la longueur de câble nécessaire.
2. Ajouter environ de 2 à 3 pieds (de 0,6 à 0,9 mètre) à cette longueur pour être certain d'avoir assez de câble lors de l'installation.
3. Choisir le bon calibre de câble à l'aide du tableau ci-dessous.
4. Si le câble est installé sous terre, il doit être coté pour enfouissement direct et/ou engainé dans un tube en PVC pour en prévenir la détérioration au fil du temps. Communiquez avec un installateur compétent avant de commencer l'installation (voir le revendeur).
5. Couper la bonne longueur de câble. À l'aide d'un dénude-fil, retirer la gaine extérieure du câble sur une longueur d'environ 5 cm (2 po) à chaque extrémité.
6. Retirer l'isolant aux deux extrémités sur une longueur d'environ 1,25 cm (1/2 po).

Le tableau ci-dessous indique le calibre minimum pour différentes longueurs de câble.

Calibre minimum nécessaire	
Longueur	Calibre/diamètre
Moins de 15 pieds (4,5 m)	16 awg / 0,05 pouce (1,3 mm)
Moins de 30 pieds (9 m)	14 awg / 0,06 pouce (1,6 mm)
Plus de 30 pieds (9 m)	12 awg / 0,08 pouce (2 mm)

Installation

Outils et matériel recommandés (non compris) :

- (2) vis de montage par enceinte
- Tournevis
- Ruban à mesurer

MISE EN GARDE! Bien fixer les enceintes pour ne pas qu'elles tombent et causent des dommages matériels ou des blessures corporelles.



Surfaces de montage : évaluez attentivement la composition, la construction et la force de la surface sur laquelle vous souhaitez monter l'enceinte. Lorsque vous effectuez le montage sur un ouvrage en maçonnerie, en bois ou sur une autre surface solide, consultez un professionnel en ce qui concerne le matériel approprié pour le montage des supports d'installation fournis avec vos enceintes.



Utilisation particulière : les supports fournis avec ces enceintes sont uniquement adaptés aux enceintes avec lesquelles ils sont fournis. Ne les utilisez pas avec d'autres enceintes.



Utilisez toujours le matériel de retenue secondaire pour prévenir les blessures corporelles ou les dommages matériels.

Non-responsabilité : nous sommes conscients que le matériel de montage fourni avec ces enceintes pourrait être utilisé à d'autres fins et d'autres façons que celles pour lesquelles il est prévu. Le fabricant, le distributeur et le revendeur, ainsi que leurs agents respectifs, ne peuvent pas être tenus responsables pour les blessures corporelles ou les dommages matériels, directs, indirects ou consécutifs, découlant de l'utilisation ou de l'incapacité à utiliser ce produit de façon sécuritaire et appropriée.

Tous les efforts ont été faits pour vous fournir des instructions d'installations exactes et sans erreurs. MartinLogan Ltd. décline toute responsabilité pour les difficultés qui peuvent découler d'une mauvaise interprétation des renseignements contenus dans ces instructions.

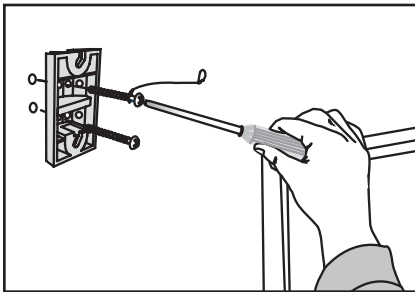


Figure 3. Installation sur support de suspension.

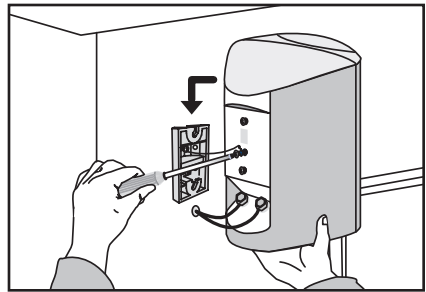


Figure 4. Montage de l'enceinte sur le support.

Montage avec le « support de suspension » fourni » (ML-45 uniquement)

Le modèle ML-45 peut être monté à l'horizontale ou à la verticale.

1. À l'aide des vis/matériel de montage (non compris), montez le support avec la courroie de sécurité fournie sur le mur à l'emplacement souhaité (figure 3). Assurez-vous que le support est droit.
2. Vissez deux vis #12 de 1-pouce (comprises) dans les trous supérieur et inférieur, espacés de 2 3/8-pouce (60 mm) l'un de l'autre sur la partie arrière du boîtier de l'enceinte. Ne les vissez pas entièrement – assurez-vous qu'elles dépassent d'environ 1/8-pouce (3 mm).
3. Apportez l'enceinte sur le support et raccordez les câbles, tel que décrit dans ce manuel. Fixez la courroie de sécurité sur l'enceinte à l'aide du trou du milieu (figure 4). Montez l'enceinte sur le support à l'aide d'un mouvement « intérieur et vers le bas ».

Pour le montage horizontal, il suffit de monter le support horizontalement en orientant les trous en forme de serrure vers le haut. Suivez les étapes 1 à 3 ci-dessus pour compléter l'installation horizontale.

Montage au mur avec le « support en U » fourni (ML-55 uniquement)

Ces enceintes peuvent être montées à l'horizontale ou à la verticale avec le « support en U ».

1. Dévissez les boutons à chacune des extrémités de l'enceinte.
2. À l'aide des vis/matériel de montage appropriés (non compris), montez le support et une courroie de sécurité (non compris, voir le revendeur) sur le mur à l'emplacement souhaité. Assurez-vous que le support est droit. Le câble d'enceinte dans le mur peut ensuite être passé par la grande ouverture de ce support, ce qui permet un raccordement à partir de la partie arrière des bornes d'enceinte pour cacher le câble d'enceinte.
3. Apportez l'enceinte près du support et raccordez le câble d'enceinte, tel que décrit ci-dessus.

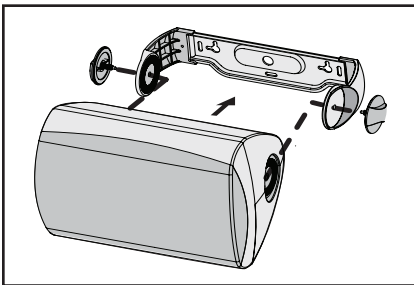


Figure 5. Montage de l'enceinte sur le support en U.

4. Étirez légèrement le support et placez l'enceinte dans le support, une extrémité à la fois pour éviter d'égratigner le boîtier (figure 5).
5. Vissez les boutons dans les trous du support de montage et dans l'enceinte. Orientez l'enceinte en direction de la position souhaitée. Serrez les boutons afin de bien les ajuster, sans trop serrer.

Raccordement des enceintes



MISE EN GARDE! Éteindre l'amplificateur avant de raccorder les enceintes. Ceci évitera les dommages pouvant résulter d'un court-circuit accidentel des câbles des enceintes.

Vos enceintes sont dotées de bornes de raccordement de haute qualité qui peuvent être utilisées avec des fiches bananes, des tiges ou des cosses rectangulaires, ainsi qu'avec un fil nu. Raccordez une enceinte à la fois à votre amplificateur.

1. Raccordez la borne d'amplificateur rouge (+) à la borne d'enceinte rouge (+) et la borne d'amplificateur noire (-) à la borne d'enceinte noire (-). Serrez les bornes fermement à la main, sans trop serrer.
2. Répétez l'étape 1 pour l'autre ou les autres enceintes.

Si une enceinte ne fonctionne pas correctement, consultez la section « Dépannage » à la page suivante de ce manuel.

Foire aux questions

Comment dois-je nettoyer mes enceintes? Consultez la section « Nettoyer et protéger votre investissement » à la page 3 de ce manuel.

Quelle taille d'amplificateur dois-je utiliser? Nous recommandons un amplificateur homologué dans la gamme d'amplificateur appropriée pour votre enceinte.

Pouvez-vous me proposer une liste d'appareils électroniques et de câbles qui conviennent aux enceintes MartinLogan? Les questions relatives aux appareils électroniques et aux câbles sont probablement celles que nous recevons le plus souvent. Et ce sont les plus subjectives. Souvent, certaines marques fonctionnent bien dans une configuration et donnent de piètres résultats dans une autre. Nous utilisons de nombreuses marques avec d'excellents résultats. Encore une fois, nous n'avons pas de produits préférés; nous utilisons les appareils électroniques et les câbles de façon assez interchangeable. Nous vous proposons d'écouter plusieurs marques et surtout, de faire confiance à votre ouïe. Les revendeurs sont toujours la meilleure source de renseignements lorsque vous achetez de l'équipement audio ou des câbles supplémentaires et connaissent bien les exigences de sécurité pour les câbles dans le mur.

Est-ce que l'exposition à la lumière solaire nuira au rendement ou à la durée de vie de mes enceintes? Nous recommandons de ne pas exposer les enceintes directement à la lumière solaire. Les rayons ultraviolets (UV) du soleil peuvent entraîner la détérioration des cônes de l'enceinte, etc. Pour une installation extérieure des enceintes, nous recommandons de choisir un endroit exposé le moins possible à la lumière solaire.

Dépannage

Aucune sortie

- Vérifiez que toutes les composantes du système sont allumées, pas en sourdine, et que le contrôle d'équilibrage (le cas échéant) est réglé de façon appropriée.
- Assurez-vous que la prise murale fonctionne.
- Vérifiez les cordons d'alimentation, les câbles d'enceinte et les câbles d'interconnexion.
- Assurez-vous qu'aucun casque d'écoute n'est branché.
- Échangez les câbles d'enceinte vers l'amplificateur avec ceux d'une enceinte qui fonctionne bien. Si l'absence de sortie est transmise à une autre enceinte, le problème pourrait être lié à un autre équipement de votre système (amplificateur, préamplificateur, processeur, etc.)
- Essayez de brancher un autre ensemble d'enceintes. L'absence de sortie peut être due à un problème avec une autre composante de votre système (amplificateur, préamplificateur, processeur, etc.)

Manque de graves ou mauvaise image

- Vérifiez les câbles d'enceinte. Est-ce que la polarité est correcte — (+) à (+) et (-) à (-)?
-

Garantie

MartinLogan offre l'enregistrement en ligne à la garantie à l'adresse www.martinlogan.com.

Vos enceintes sont vendues avec une garantie limitée automatique de 90 jours.

Vous avez la possibilité d'obtenir, sans frais supplémentaires, une garantie limitée de cinq ans. Pour obtenir la garantie limitée de cinq ans, enregistrez vos enceintes à l'adresse www.martinlogan.com. Veuillez conserver une copie du reçu du revendeur, car on pourrait vous le demander pour effectuer les réparations.

MartinLogan pourrait ne pas honorer les réclamations de service au titre de la garantie à moins d'avoir une carte d'enregistrement à la garantie dûment remplie à l'adresse www.MartinLogan.com!

Service

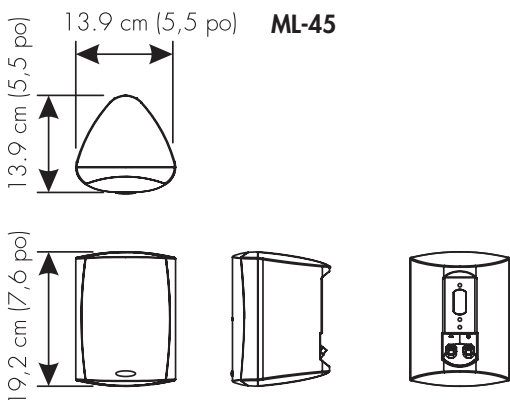
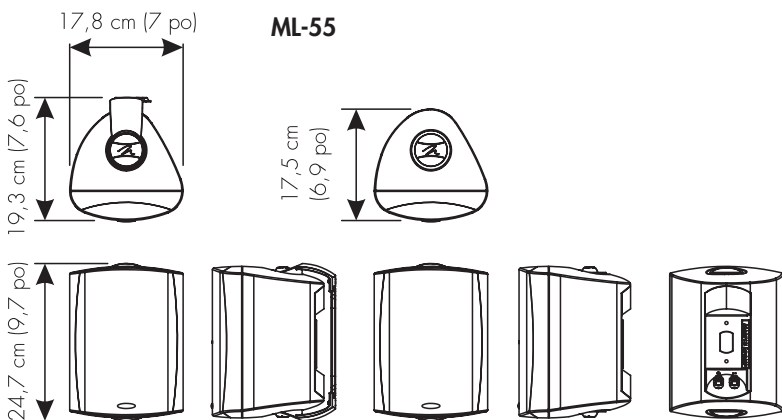
Si vous utilisez votre produit MartinLogan dans un pays autre que celui où il a été acheté à l'origine, nous vous demandons de noter ce qui suit :

- 1 Le distributeur MartinLogan désigné pour tout pays donné est responsable du

service au titre de la garantie uniquement pour les appareils distribués par ce pays ou par l'entremise de celui-ci conformément à sa garantie applicable.

- 2 Si un produit MartinLogan doit faire l'objet de réparations (service) dans un pays autre que celui où il a été acheté à l'origine, l'utilisateur final peut faire réparer le produit chez le distributeur MartinLogan le plus proche, sous réserve des politiques de service locales de ce distributeur, mais tous les coûts des réparations (pièces, main-d'œuvre et transport) seront assumés par le propriétaire du produit MartinLogan.
- 3 Si, après avoir possédé l'enceinte pendant six mois, vous déménagez dans un pays autre que celui où vous avez acheté l'enceinte, votre garantie peut être transférable. Communiquez avec MartinLogan pour obtenir tous les détails.

Plans dimensionnels



Spécifications

Modèle d'enceinte	ML-45	ML-55
Réponse de fréquence du système	90–20 000 kHz \pm 2 dB	85–20 000 kHz \pm 2 dB
Orientation.	N/D	Tourne sur un support en U
Sensibilité.	88dB	90dB
Impédance.	Compatible avec 8 ohms	Compatible avec 8 ohms
Fréquence de raccord . . .	2 300 kHz	2 300 kHz
Extension basse fréquence*	65 Hz (DIN)	60 Hz (DIN)
Haut-parleur haute fréquence.	Dôme en titane de 1 po (2,5 cm)	Dôme en titane de 1 po (2,5 cm)
Haut-parleur basse fréquence.	Cône en polypropylène de 4 ½ po (11,5 cm) rempli de matière minérale	Cône en polypropylène de 5 ½ po (14 cm) rempli de matière minérale
Entrées borne de raccordement.	Bornes de raccordement à 5 tiges pour fil jusqu'à 5 AWG	Bornes de raccordement à 5 tiges pour fil jusqu'à 5 AWG
Intervalle amplificateur approprié.	De 15 à 80 watts	De 15 à 90 watts
Puissance nominale maximale**	50 watts	60 watts
Poids	3,4 lb chaque (1,55 kg)	6,75 lb chacune (3,05 kg)
Dimensions (h x l x p) . . .	7 ⅝ x 5 ½ x 5 ½ po (19,2 x 13,9 x 13,9 cm)	9 ¾ x 7 x 6 ⅞ po (24,7 x 17,8 x 17,5cm)

*DIN 45 500. Indique -3 dB dans une salle d'écoute typique.

**Avec une source de programme typique, attendu que l'amplificateur n'écrête pas plus de 10 % du temps.

***Les spécifications peuvent changer sans préavis.

SÉRIE INSTALLER

par **MARTIN LOGAN**®

Lawrence, Kansas, USA tél 785.749.0133 www.martinlogan.com

©2011 MartinLogan. Tous droits réservés.

Rev. #041511