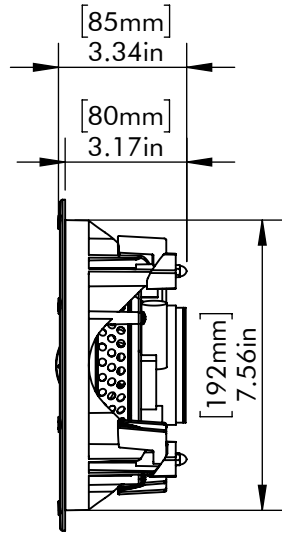
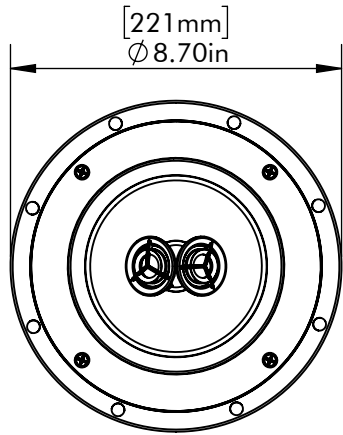
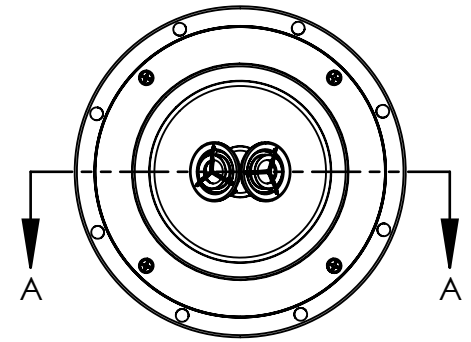
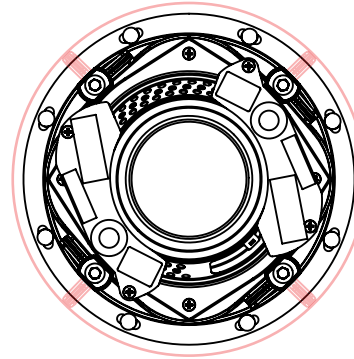


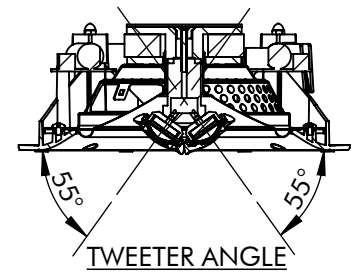
GRILL OFF



MOUNTING LOCKS
EXTEND 0.375in [9.5mm]
BEYOND ALL EDGES

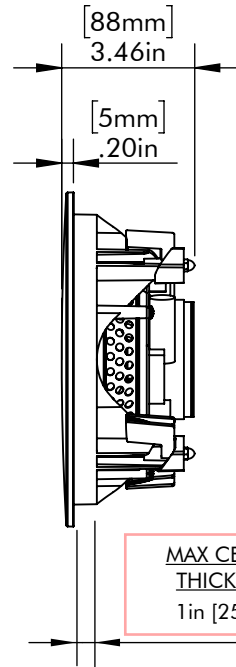
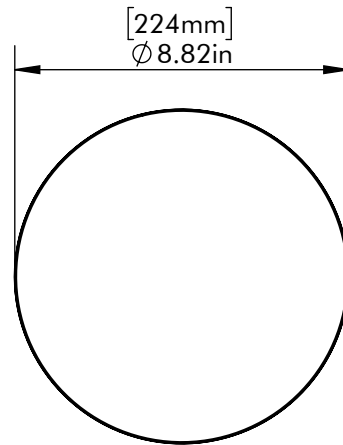


SECTION A-A



TWEETER ANGLE

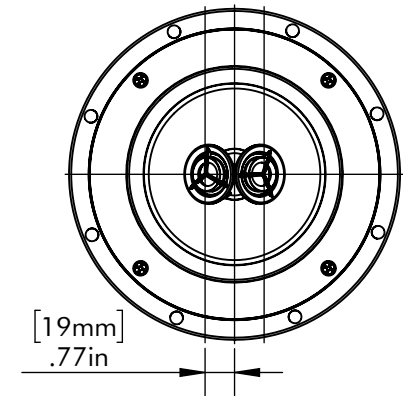
GRILL ON



MAX CEILING
THICKNESS
1in [25mm]

CUTOUT DIAMETER
(WITH TOLERANCE)
7.75in [196mm]

TWEETER OFFSET



ML-62i
DIMENSION
DRAWING