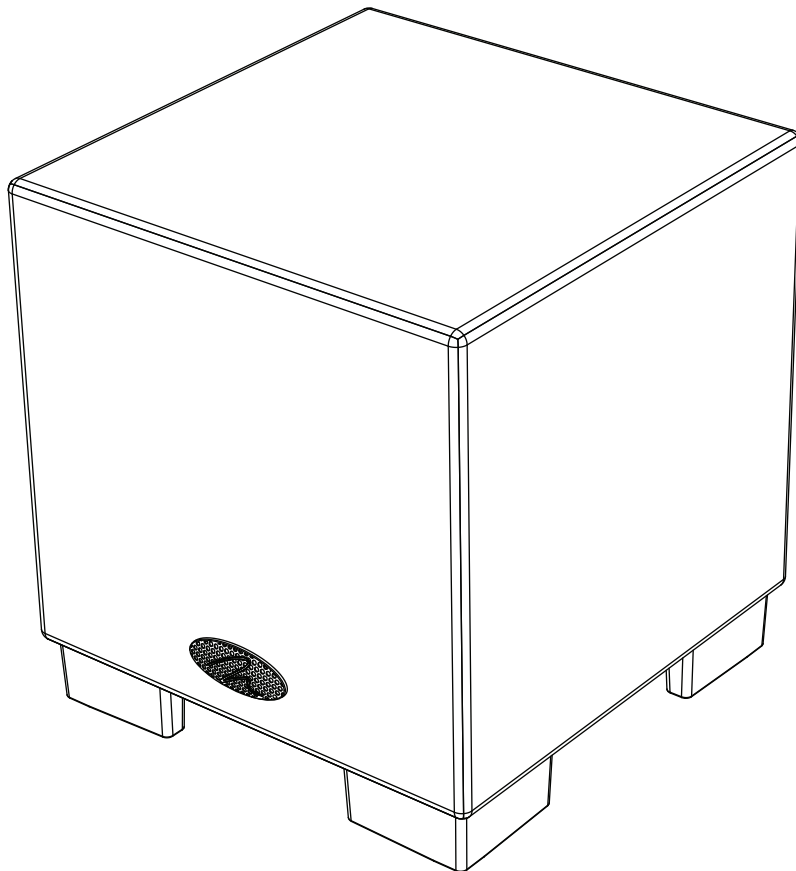
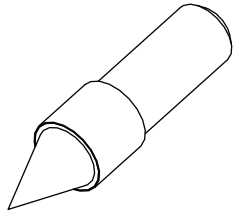


# DYNAMO™ 700

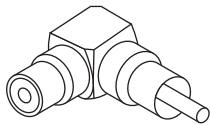


**MARTIN LOGAN**  
DESIGN SERIES

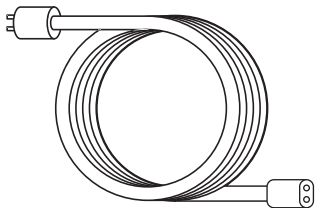
[www.MartinLogan.com](http://www.MartinLogan.com)



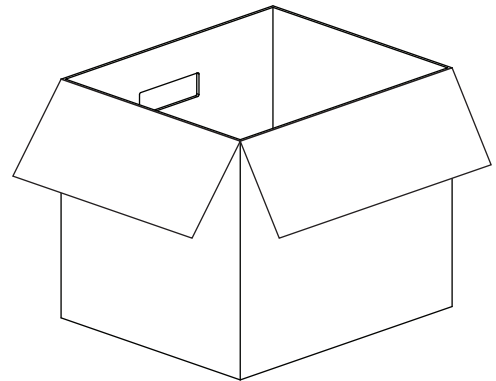
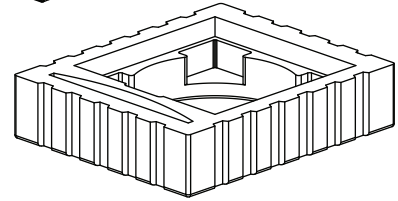
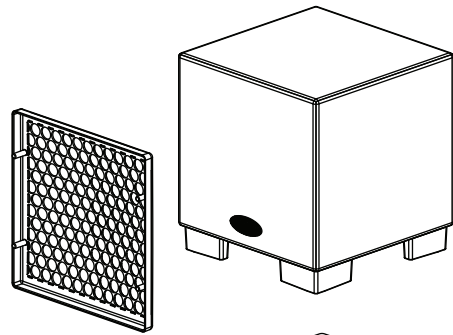
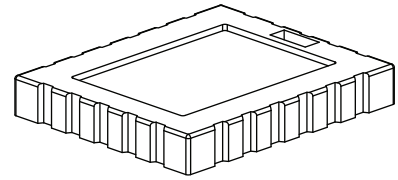
**x 4**

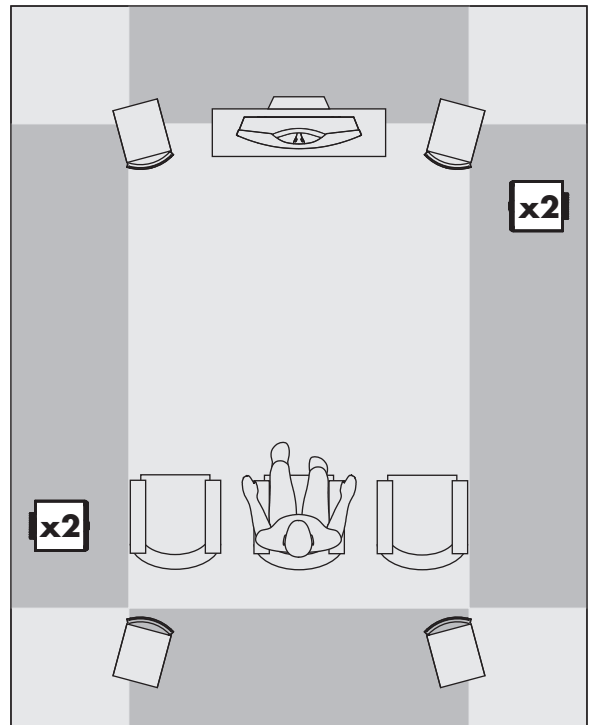
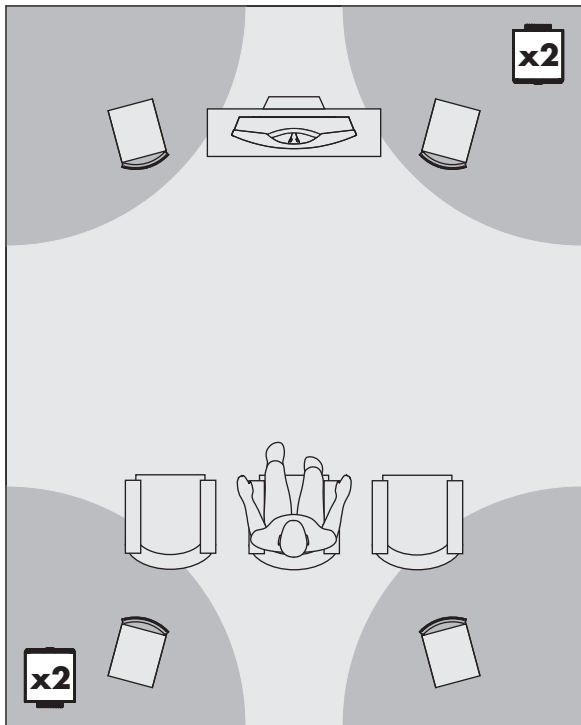
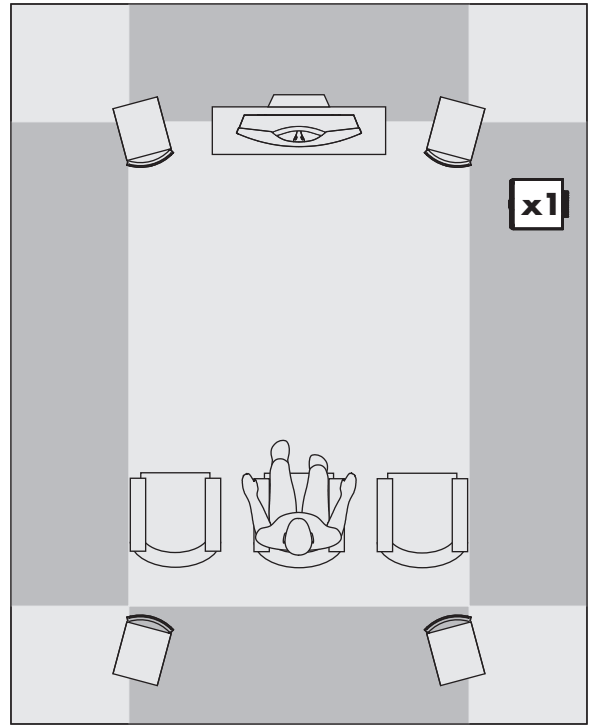
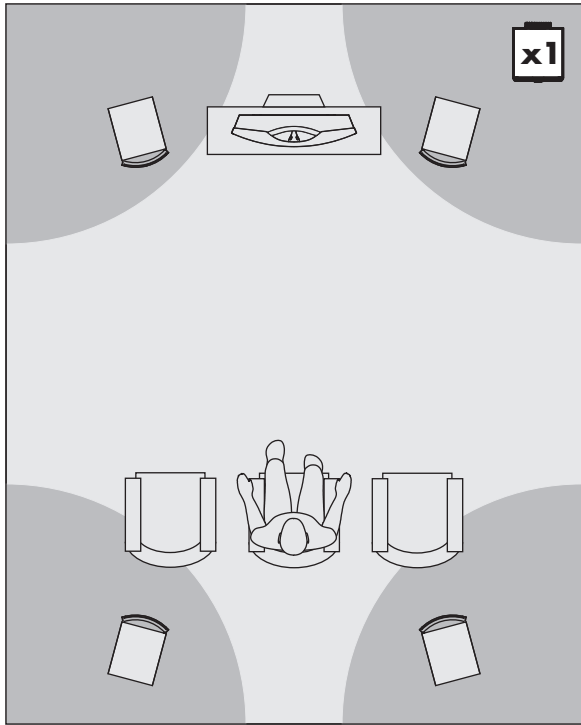


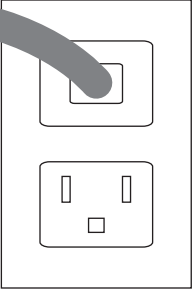
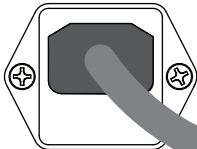
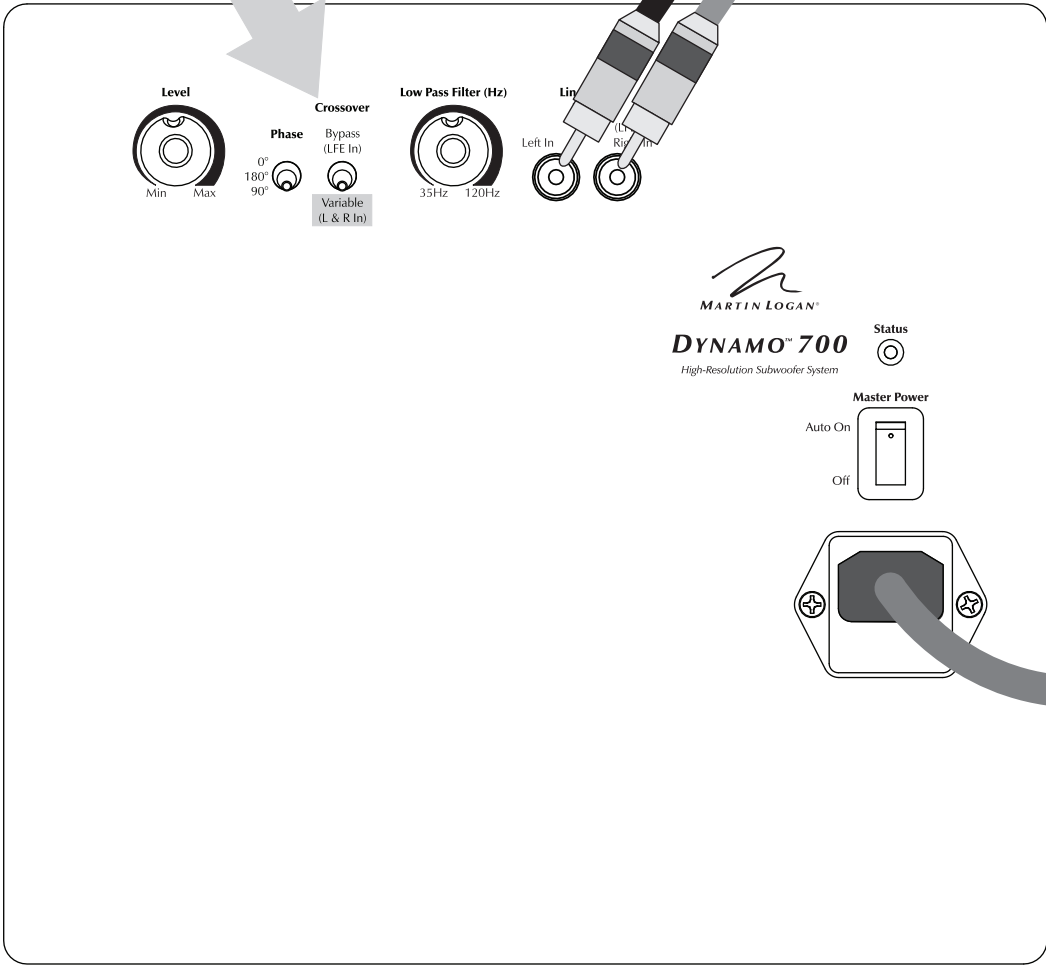
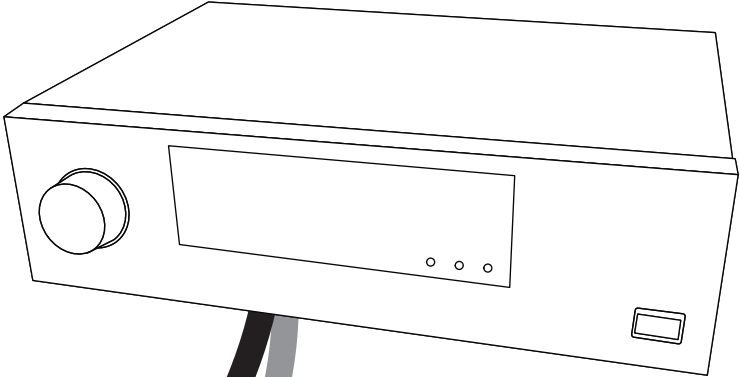
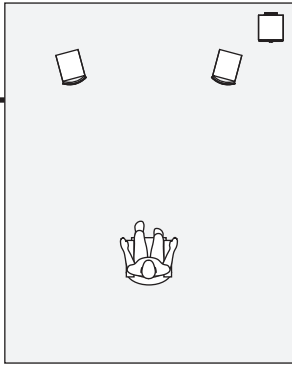
**x 2**

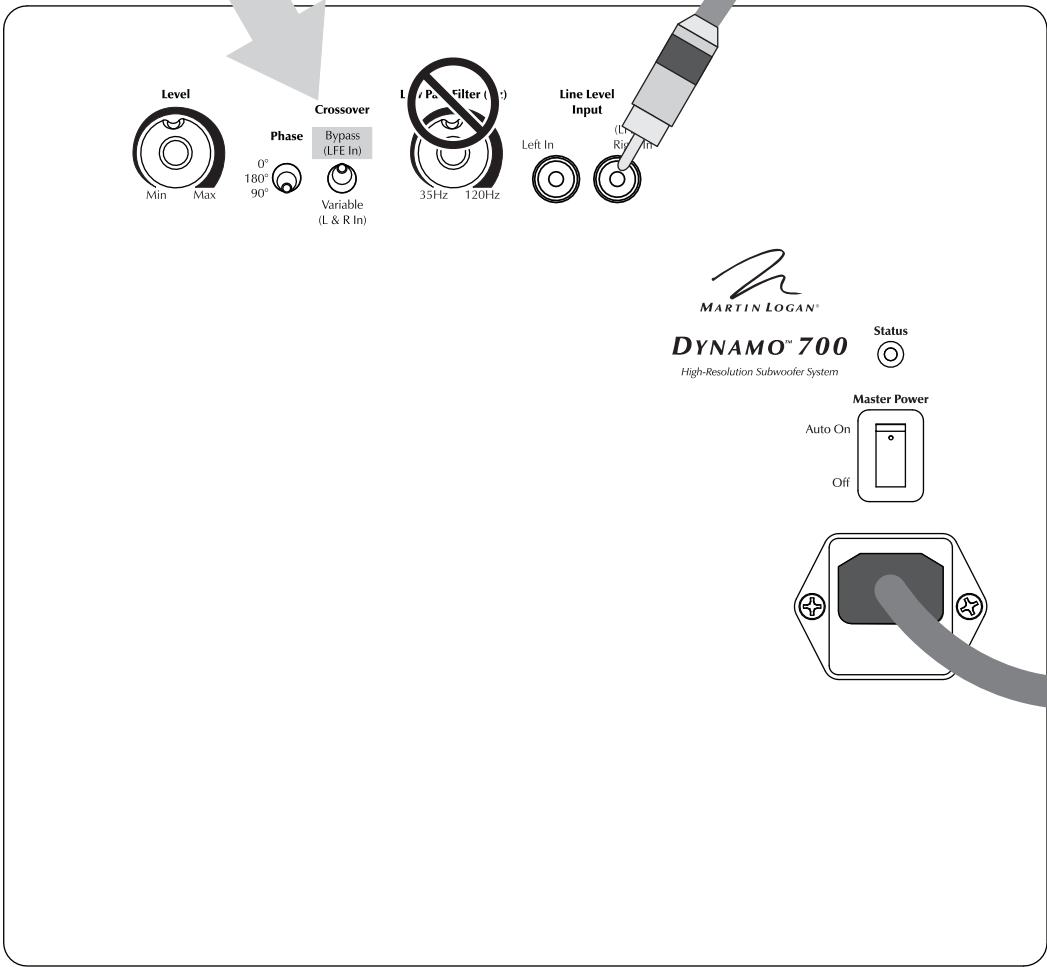
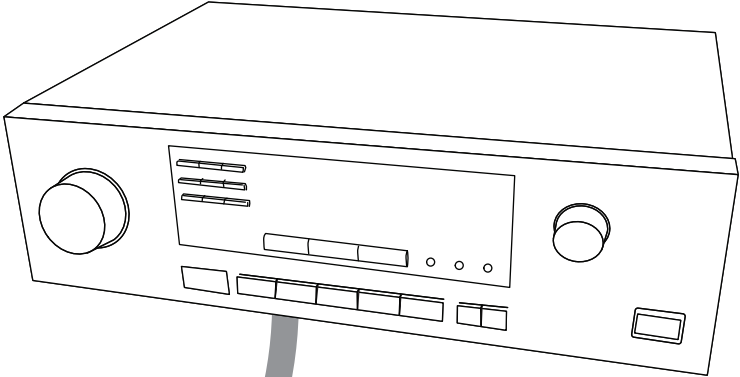
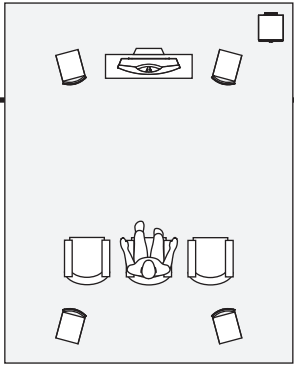


**x 1**





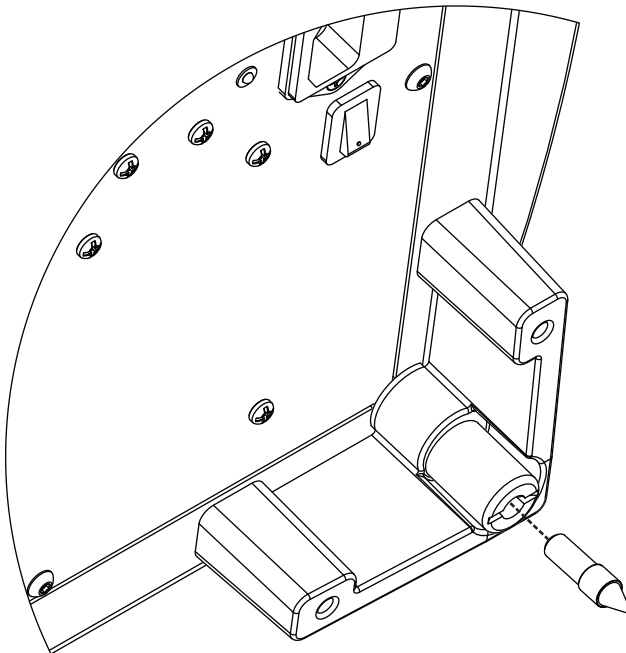
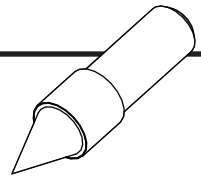
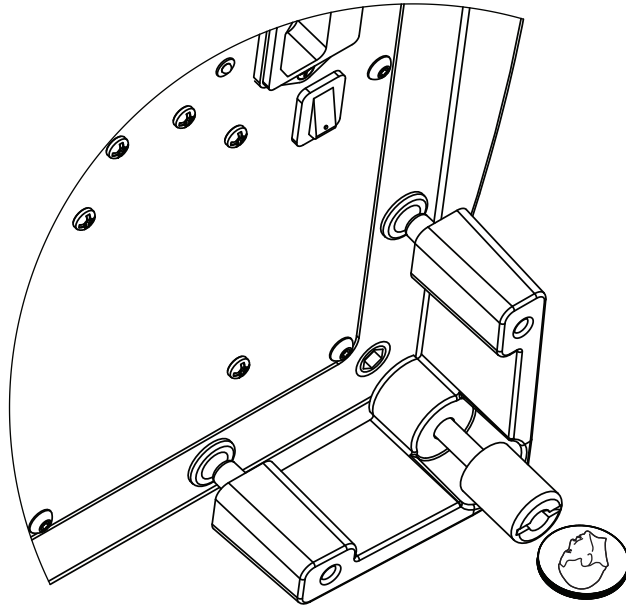
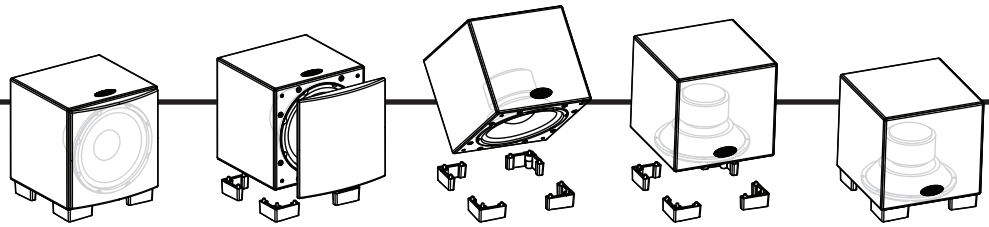


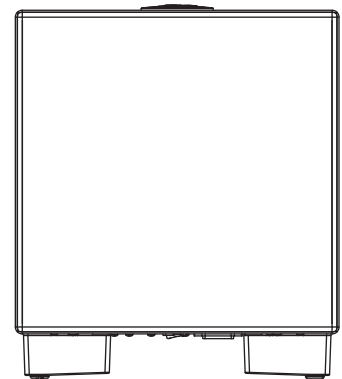
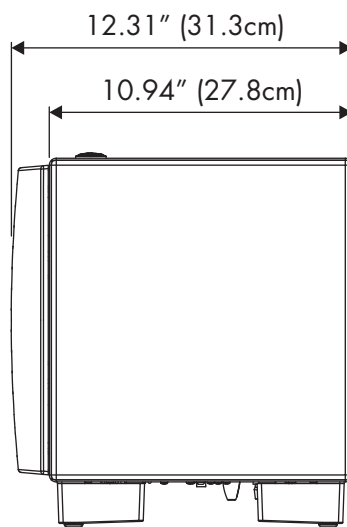
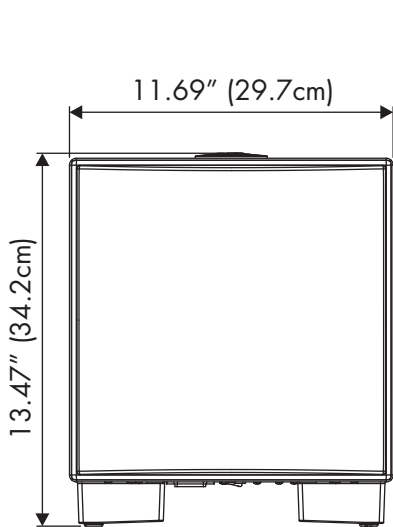
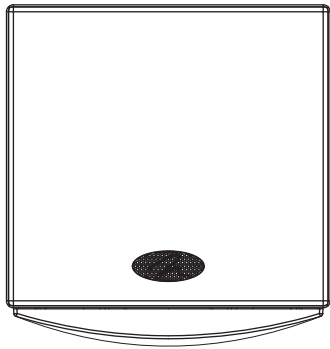
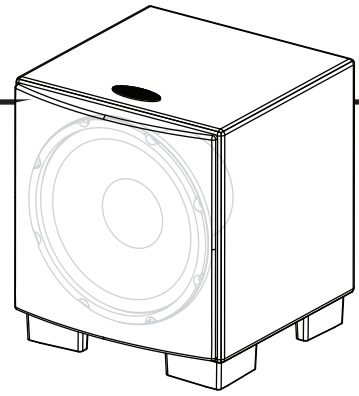


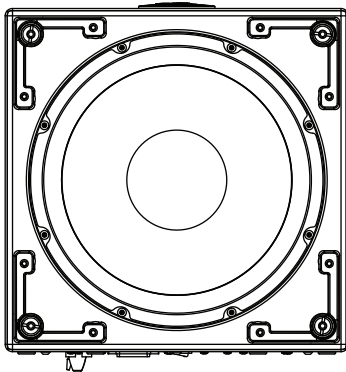
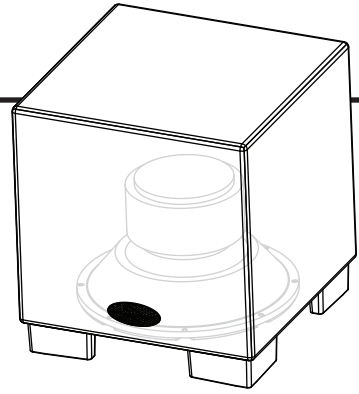
MARTIN LOGAN  
**DYNAMO™ 700**  
High-Resolution Subwoofer System

Status

Master Power  
Auto On  
Off

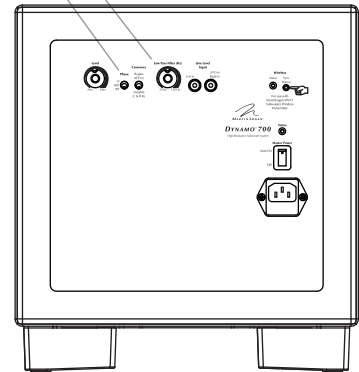
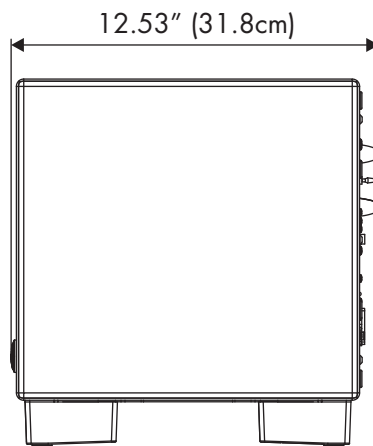
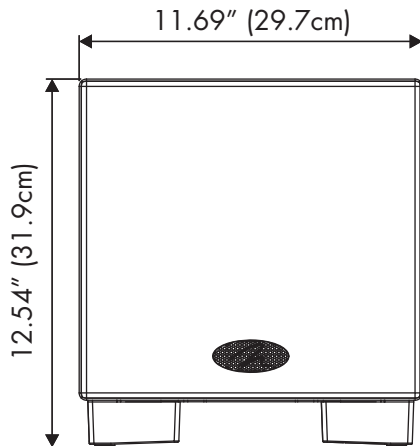






24–200Hz  $\pm$ 3dB  
300 watts (600 watts peak)  
26.5 lbs. (12kg)

0° / 90° / 180°  
35Hz–120Hz



**MARTIN LOGAN**  
DESIGN SERIES

©2009 MartinLogan, Ltd. All rights reserved.  
Rev. #043009